

DA Lubricator

Manually Operated, Single Line, Grease & Oil



General

The DA Lubricator is a manual grease and oil, double-action piston high pressure pump, ideally suited for single line systems. Suction filter screen is located at inlet and a lubricant level indicator assembled on the top cover.

Application

The DA Lubricator is widely used in steel plants, mines and heavy-duty industrial applications.

Operation

As the handle is moved back and forth, the rack drives the piston, pressing the lubricant through a check valve and into the outlet.

Technical Data

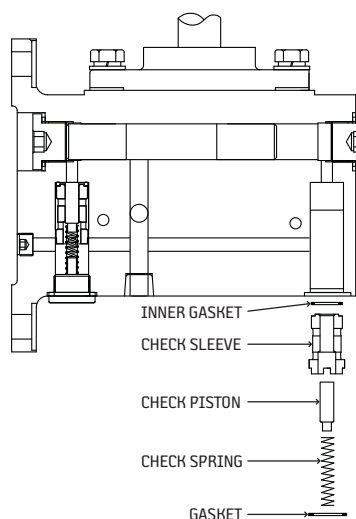
Reservoir Capacity	Grease	2 kg (4.5 lb), 4 kg (8.25 lb)
	Oil	2.4 liter (2.5 qt), 6.2 liter (6.5 qt)
Discharge		7.4cc (0.45 cu. in.)
Viscosity Range	Grease	NLGI grade 000-2
	Oil	ISO VG 32 or higher
Internal Filter		Standard on all models
Pressure Gauge		Standard on all models
Level Indicator		Standard on all models

Maintenance

1. Keep reservoir full of clean lubricant.
2. Check all bearings at regular intervals to see that a small amount of lubricant is showing at the edge of the bearing.
3. Check all tubing lines for damage and replace any damaged tubing at once.
4. See that all connections are tight.
5. Check all flexible hose connections at regular intervals and replace any damaged hose.

Cleaning Check Valve

When necessary, clean the discharge check valve. Remove the parts in the order shown in the view at the right. Be sure the inner gasket does not remain in the reservoir body. After cleaning, be sure that piston slides freely in sleeve.



ATTENTION

Do not leave system under pressure.

ATTENTION

For general information on installation and maintenance see Brochure #SL300: Single Line Installation and System Start Up.

BIJUR DELIMON INTERNATIONAL

(919) 465 4448 LOCAL
(800) 631 0168 TOLL-FREE
(919) 465 0516 FAX

WWW.BIJURDELIMON.COM

2100 Gateway Centre Blvd., Suite 109
Morrisville, NC 27560

35518 • R5 09/15

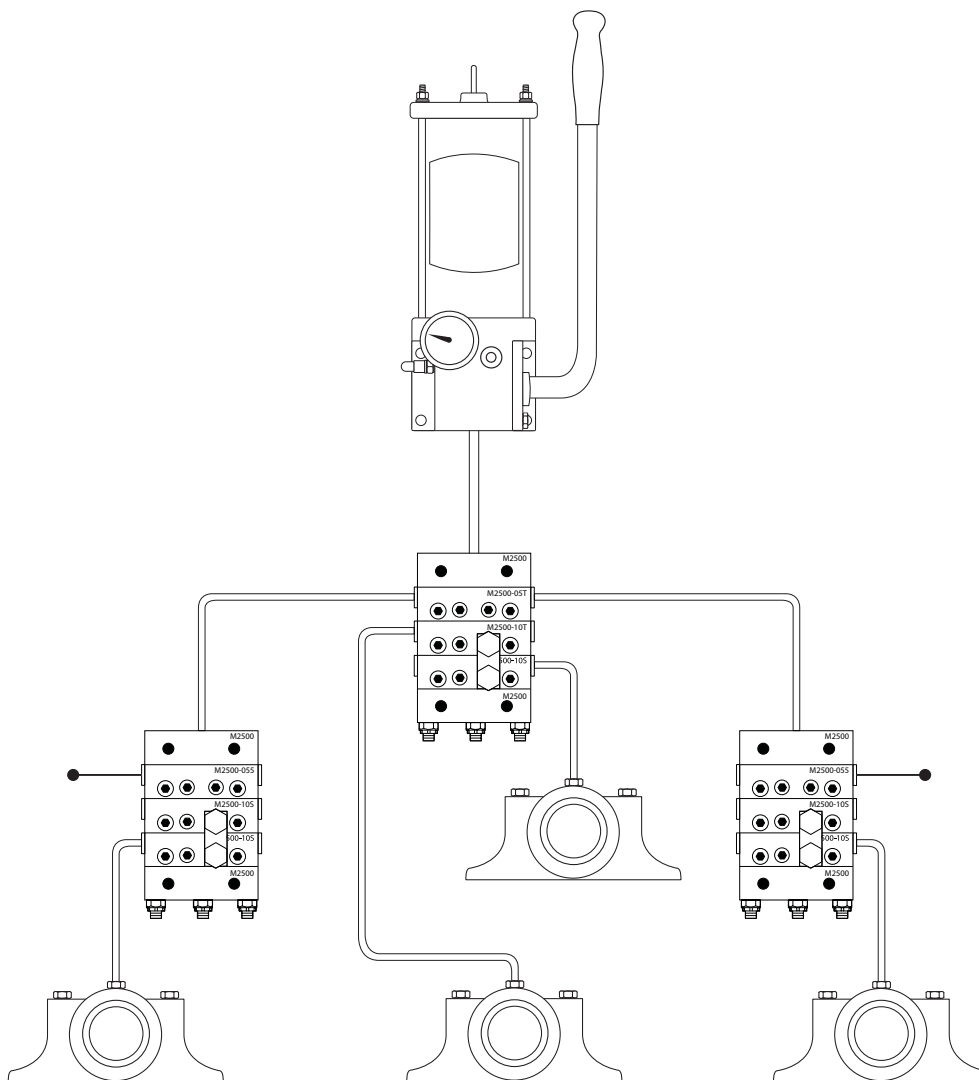
Troubleshooting

Symptom	Possible Cause	Remedy
Pump does not build pressure.	1. Plug or adapter is not tight enough.	1. Tighten plugs and adapters.
	2. There is air in system.	2. Fill lubricant to remove air in system.
No lubricant at outlet.	1. Pipe clogged.	1. Use clean lubricant.
	2. Leakage in system.	2. Tighten plugs and adapters.

Illustrations and specifications are not binding in detail. Designs are subject to modification and improvement without notice.

Typical System Layout

Working with M2500 Divider Valve



BIJUR DELIMON INTERNATIONAL

(919) 465 4448 LOCAL
(800) 631 0168 TOLL-FREE
(919) 465 0516 FAX

WWW.BIJURDELIMON.COM

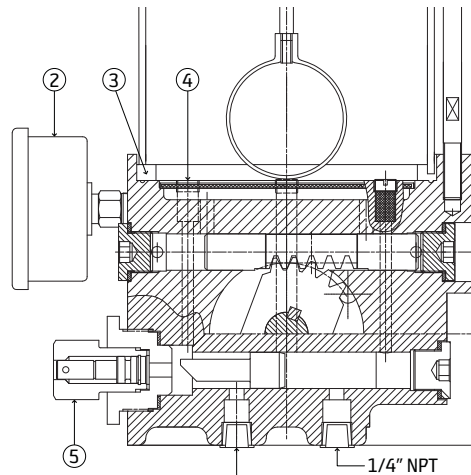
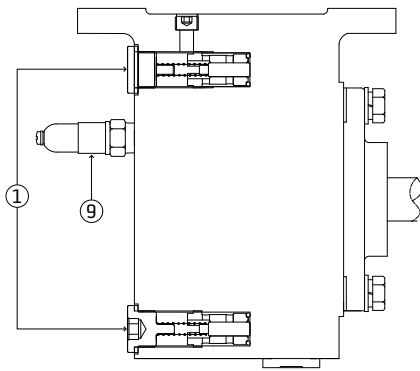
2100 Gateway Centre Blvd., Suite 109
Morrisville, NC 27560

How To Order

Name	System Type	Lubricant	Reservoir Capacity	Part #
DA Lubricator	Single Line	Grease	2 kg (4.5 lb)	DA4120AC
			4 kg (8.25 lb)	DA5120AC
		Oil	2.4 liter (2.5 qt)	DA4120BC
			2.4 liter (2.5 qt)	DA4102BC
			6.2 liter (6.5 qt)	DA6102BC

When ordering, specify by name, description and part number, e.g. DA Lubricator, Single Line, Grease, 2 kg reservoir, Part #DA4120AC.

Service Parts



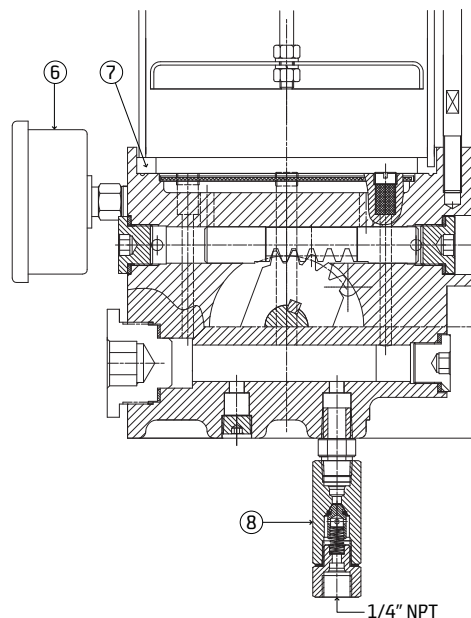
1/4" PIPE RETURN CONNECTION FROM PRIMARY MANIFOLD FOR CYCLE INDICATOR

ATTENTION

Mating fill connector available:
Order part number **U422BC**.

DA 120 Series		
Item	Description	Part #
1*	Check valve kit	56035
2	Pressure gauge: 0-3000 psi	30854-12
3	Seal reservoir	30531-1
4	Reservoir check valve kit	56036
5	Indicator repair kit	52185
DA 102 Series		
6	Pressure gauge: 0-3000 psi	30854-12
7	Seal reservoir	30531-1
8	Outlet check valve	52178
9	Fill fitting (grease models)	U421BC

* Used on DA120 and DA102 Series



BIJUR DELIMON INTERNATIONAL

(919) 465 4448 LOCAL
(800) 631 0168 TOLL-FREE
(919) 465 0516 FAX

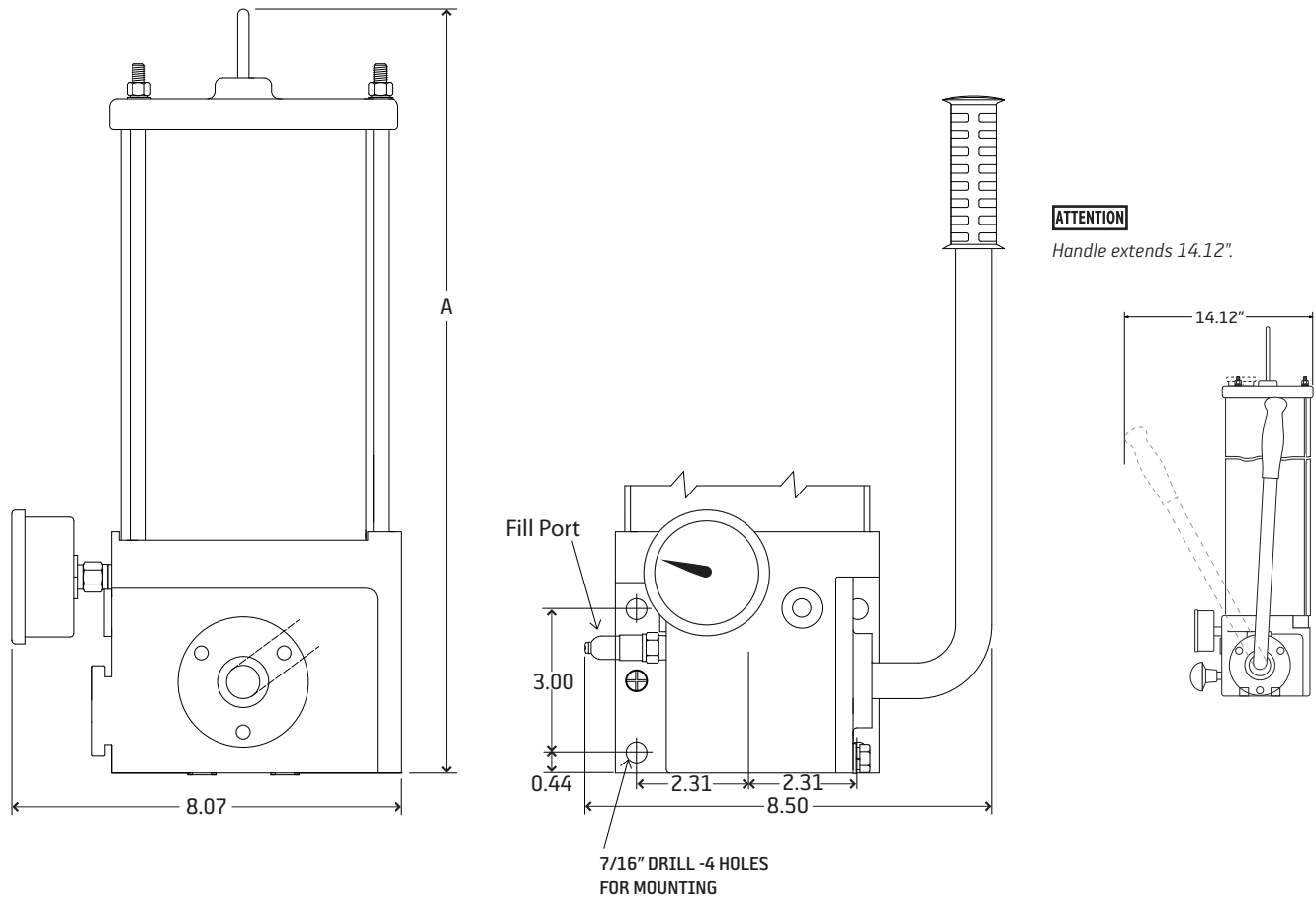
WWW.BIJURDELIMON.COM

2100 Gateway Centre Blvd., Suite 109
Morrisville, NC 27560

35518 • R5 09/15

Dimensional Schematics

Measurements shown in inches.



Size	A (MAX height)
DA4 Series	24"
DA5 Series	37"
DA6 Series	51"

BIJUR DELIMON INTERNATIONAL

(919) 465 4448 LOCAL
(800) 631 0168 TOLL-FREE
(919) 465 0516 FAX

WWW.BIJURDELIMON.COM

2100 Gateway Centre Blvd., Suite 109
Morrisville, NC 27560