

DA Lubricator

Manually Operated, Dualine/Injector, Grease & Oil

General

The DA Lubricator is a manual grease and oil, double-action piston high pressure pump, ideally suited for dual line systems. Suction filter screen is located at inlet and a grease level indicator assembled on the top cover.

Application

The DA Lubricator is widely used in steel plants, mines and heavy-duty industrial applications.

Operation

As the handle is moved back and forth, the rack drives the piston, pressing the lubricant through a check valve and into the outlet. As lubricant from the pump drives the distributor piston to one side on the Dualine valve or injector piston, pressure increases and remains that way, until direction conversion knob is used to change the direction of the pressure. When this occurs, one line relieves pressure and the other delivers lubricant.

Operation Instructions

1. With slide valve handle in, operate pump handle until gauge pressure is 1500 psi on DA4, DA5 or DA6 pumps.
2. Hold pressure for one minute to make sure lubricant is delivered to all points.
3. For Dualine Systems: Pull slide valve handle at base of pump outward to reverse pressure 3. connections and repeat operations 1 and 2. For Injector Systems: Pull slide valve out to relieve main line pressure. Push back in when pressure gauge goes to zero.
4. Push slide valve handle in to original position to relieve pressure on the system.

Technical Data

Reservoir Capacity	Grease	2 kg (4.5 lb), 4 kg (8.25 lb), 6 kg (12.5 lb)
	Oil	2.4 liter (2.5 qt)
Discharge		7.4cc (0.45 cu. in.)
Viscosity Range	Grease	NLGI grade 000-2
	Oil	ISO VG 32 or higher
Internal Filter		Standard on all models
Pressure Gauge		Standard on all models



ATTENTION

Do not leave system under pressure.

BIJUR DELIMON INTERNATIONAL

(919) 465 4448 LOCAL
(800) 631 0168 TOLL-FREE
(919) 465 0516 FAX

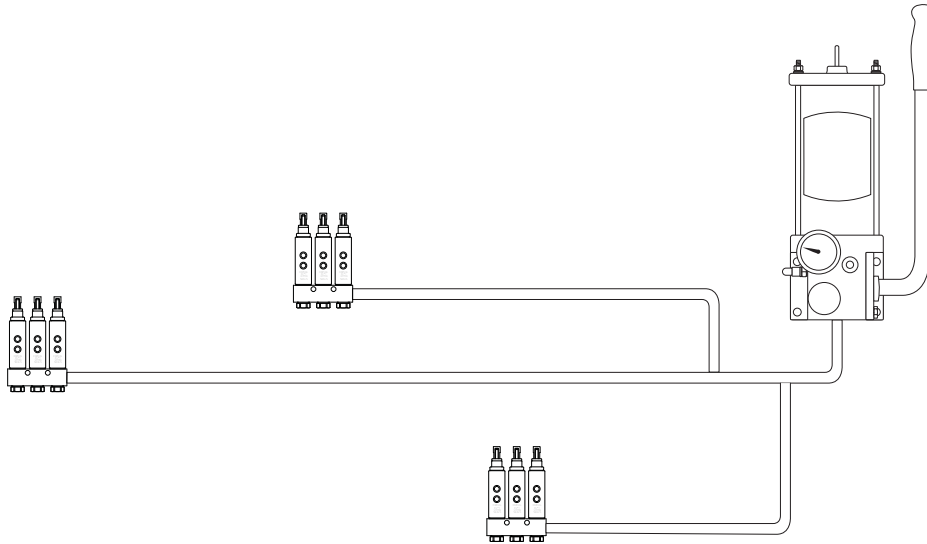
WWW.BIJURDELIMON.COM

2100 Gateway Centre Blvd., Suite 109
Morrisville, NC 27560

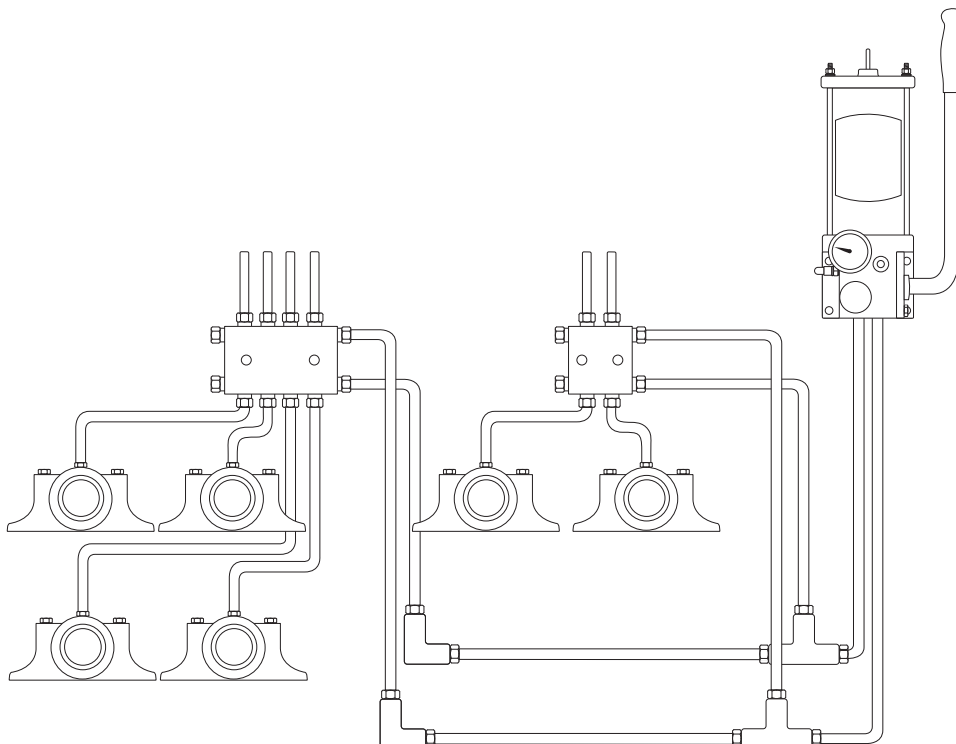
Typical System Layout

Working with FL1 Injectors

Illustrations and specifications are not binding in detail. Designs are subject to modification and improvement without notice.



Working with DD Dual Line Distributor



BIJUR DELIMON INTERNATIONAL

(919) 465 4448 LOCAL
(800) 631 0168 TOLL-FREE
(919) 465 0516 FAX

WWW.BIJURDELIMON.COM

2100 Gateway Centre Blvd., Suite 109
Morrisville, NC 27560

Maintenance

1. Keep reservoir full of clean lubricant.
2. Check all bearings at regular intervals to see that a small amount of lubricant is showing at the edge of the bearing.
3. Check all tubing lines for damage and replace any damaged tubing at once.
4. See that all connections are tight.
5. Check all flexible hose connections at regular intervals and replace any damaged hose.

Troubleshooting

Symptom	Possible Cause	Remedy
Pump does not build pressure.	1. Plug or adapter is not tight enough.	1. Tighten plugs and adapters.
	2. There is air in system.	2. Fill lubricant to remove air in system.
No lubricant at outlet.	1. Pipe clogged.	1. Use clean lubricant.
	2. Leakage in system.	2. Tighten plugs and adapters.

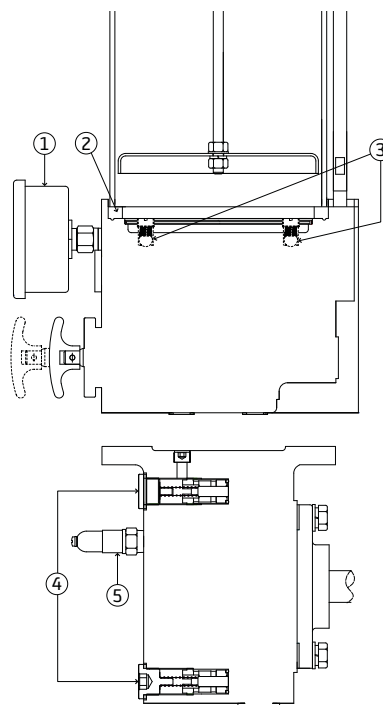
How To Order

Name	System Type	Lubricant	Reservoir Capacity	Part #
DA Lubricator	Dual Line	Grease	2 kg (4.5 lb)	DA4101AC
			4 kg (8.25 lb)	DA5101AC
			6 kg (12.5 lb)	DA6101AC
		Oil	2.4 liter (2.5 qt)	DA4101BC

When ordering, specify by name, system type, lubricant, reservoir capacity and part number, e.g. DA Lubricator, Dual Line, Grease, 6 kg reservoir, Part #DA6101AC.

Service Parts

Item	Description	Part #
1	Pressure gauge	30854-12
2	Seal reservoir	30531-1
3	Check valve	56036
4	Check valve kit	56035
5	Fill fitting	U421BC



ATTENTION

Mating fill connector available:
Order p.n. U422BC.

BIJUR DELIMON INTERNATIONAL

(919) 465 4448 LOCAL
(800) 631 0168 TOLL-FREE
(919) 465 0516 FAX

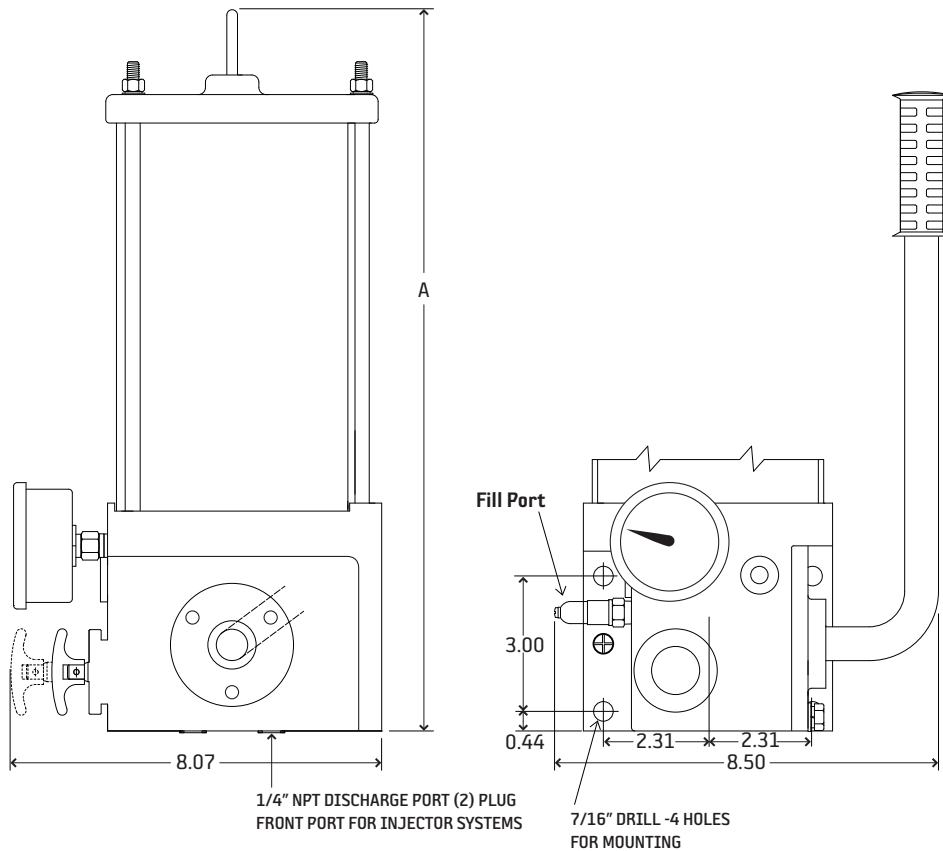
WWW.BIJURDELIMON.COM

2100 Gateway Centre Blvd., Suite 109
Morrisville, NC 27560

35495 • R8 09/15

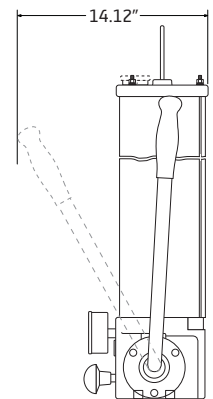
Dimensional Schematics

Measurements shown in inches.



ATTENTION

Handle extends 14.12".



Size	A (MAX height)
DA4	24"
DA5	37"
DA6	51"

BIJUR DELIMON INTERNATIONAL

(919) 465 4448 LOCAL
(800) 631 0168 TOLL-FREE
(919) 465 0516 FAX

WWW.BIJURDELIMON.COM

2100 Gateway Centre Blvd., Suite 109
Morrisville, NC 27560