

HWLP Gear Pinion

Lubricating Pinion, Grease

Application

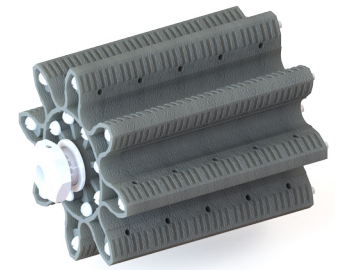
The HWLP lubricating pinion has been designed for use in wind power stations (yaw & pitch gears) or for industrial applications (excavators, mills, rotary kilns, winches, etc.). It was developed to lubricate open gears or gear rims in which the shaft can be positioned either vertically or horizontally. The HWLP lubricating pinion meshes with the pinion that is to be lubricated and it transfers the lubricant to the tooth flanks. Tubing or a hose can be used as a lubrication line.

Advantages

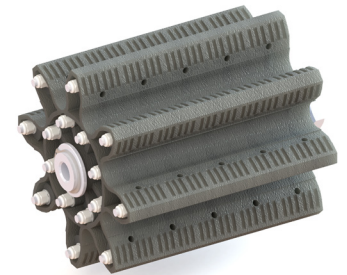
- Exact and pinpoint dosage of lubricant, which prevents excessive lubrication
- no need for any additional control
- light weight & low cost
- increases the system's service life
- Easy instalation, low-maintenance and user-friendly

Function

The HWLP lubricating pinion has an internal bearing, which has a large number of boreholes. These boreholes are connected by means of channels to the outlets (lubricating grooves) on the gearwheels. The special arrangement of these lubricating grooves ensures that only the lubricant outlet openings on the tooth flank which is in mesh at that moment are connected to the supply of lubricant from the pump. This prevents excessive lubrication. The rotary movement of the HWLP lubricating pinion ensures an even distribution onto the tooth flanks that are to be lubricated.



HWLP Gear Pinion



Technical Data

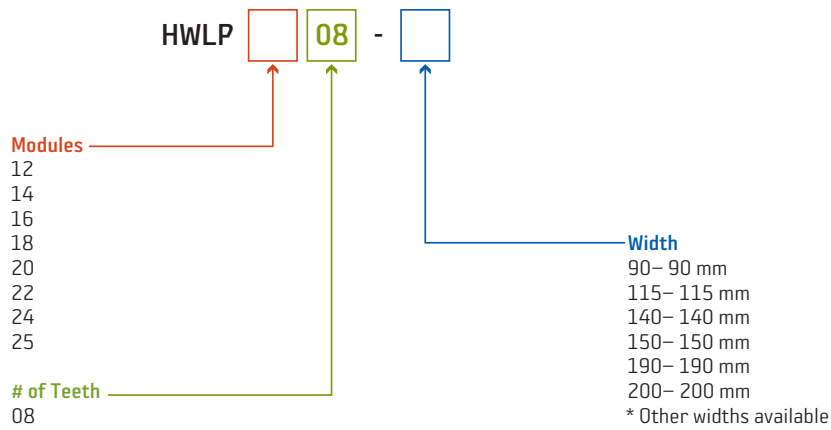
Lubricant	Grease NLGI # 000 to 2
Modules	12, 14, 16, 18, 20, 22, 24, 25
Number of Teeth	8
Width	varies per application
Segment Material	Polyurethane
Inlet threads	G1/4"
Temperature Range	-40° to + 80° C

BIJUR DELIMON INTERNATIONAL

(919) 465 4448 LOCAL
(800) 631 0168 TOLL-FREE
(919) 465 0516 FAX

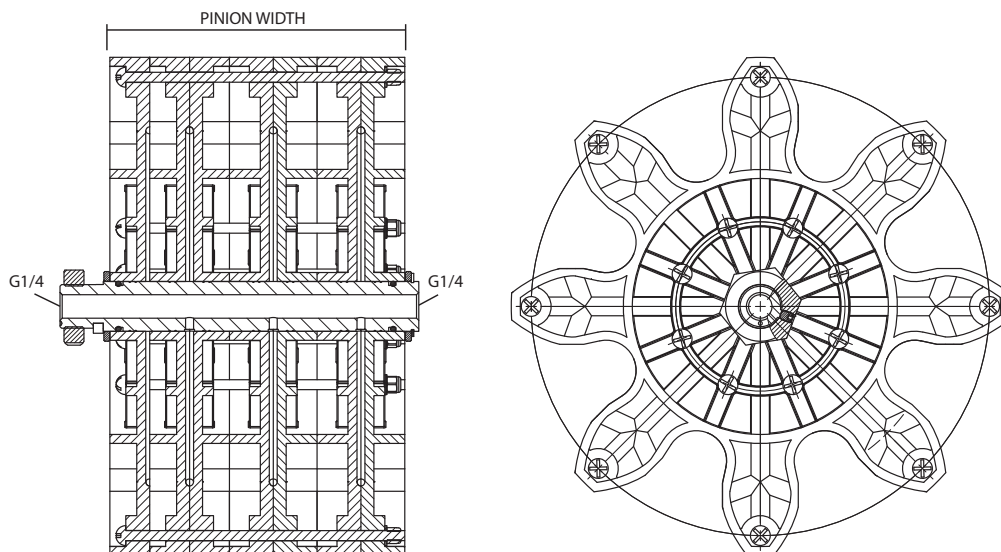
WWW.BIJURDELIMON.COM

How to Order



When ordering, specify by module and width, e.g. Part # HWLP1408-150.

Diagram



BIJUR DELIMON INTERNATIONAL

(919) 465 4448 LOCAL
(800) 631 0168 TOLL-FREE
(919) 465 0516 FAX

WWW.BIJURDELIMON.COM