

## GENERAL

FL1 injectors are positive displacement grease dispensing valves. They can be used in lubrication circuits with our FL-32, FL-33 and FL-11 series injectors. Higher injector outputs make these units well suited to satisfy lubrication needs of medium and large machines. In addition, higher output pressures make these injectors ideally suited for equipment operating in harsh environments. Recommend NLGI grade 2 grease or lighter.

## FEATURES

- + Viton O-rings standard to protect against high heat and synthetic lubricants.
- + Form, fit and functional interchangeable with major competitive brand.
- + All injectors are shipped with vinyl cover caps standard.
- + Adjustable grease output.
- + Visual operating indicator pin.
- + Includes feed line fill fitting.

## TECHNICAL DATA

<b>Minimum Operating Pressure</b>	1850 psi (128 bar)
<b>Maximum Operating Pressure</b>	3500 psi (241 bar)
<b>Maximum Vent/ Relief Pressure</b>	600 psi (41 bar)
<b>Lubricant Output</b>	0.13-1.60cc (0.008-0.10 cu. in.)
<b>Surface Protection</b>	Zinc with yellow chromate / 300 series stainless steel
<b>Mounting</b>	Any position
<b>Lubricants</b>	Up to NLGI grade 2
<b>Seals</b>	Viton O-rings
<b>Inlet Thread</b>	3/8" NPT
<b>Outlet Thread*</b>	1/8" NPT
<b>Temperature</b>	350°F (176°C) max., -10°F (-23°C) min.

*\* Fittings used must not be over tightened. A potential interference with internal parts could occur.*



## BIJUR DELIMON INTERNATIONAL

(800) 631-0168 TOLL-FREE  
(919) 465-0516 FAX  
SALES@BIJURDELIMON.COM

[WWW.BIJURDELIMON.COM](http://WWW.BIJURDELIMON.COM)

## HOW TO ORDER

Name	Number of Injectors	Standard Carbon Steel		300 Series Stainless Steel	
		Injector Part Number	Manifold Only	Injector Part Number	Manifold Only
FL-1 Injector	1	FL11	13281	FL11-SS	13281-SS
	2	FL12	13282	FL12-SS	13282-SS
	3	FL13	13283	FL13-SS	13283-SS
	4	FL14	13284	FL14-SS	13284-SS
	5	FL15	13285	FL15-SS	13285-SS
	6	FL16	13286	FL16-SS	13286-SS
	1 (Direct mount)	13844	---	---	---
	1 (Replacement injector)	13843	---	13843-SS	---

**When Ordering:**

Specify by name, description, and part number.

**Example:**

FL1 Injector, 4-way injector, Carbon Steel, part #FL14.

**BIJUR DELIMON  
INTERNATIONAL**

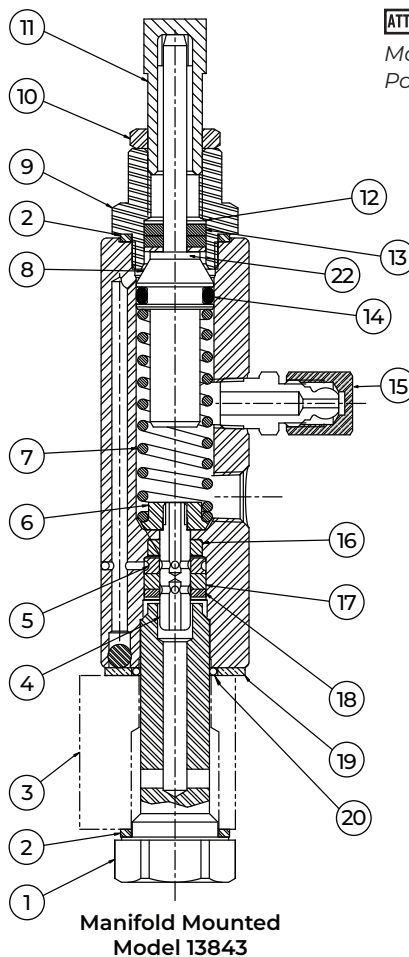
(800) 631-0168 TOLL-FREE  
(919) 465-0516 FAX  
SALES@BIJURDELIMON.COM

[WWW.BIJURDELIMON.COM](http://WWW.BIJURDELIMON.COM)

**SERVICE PARTS**

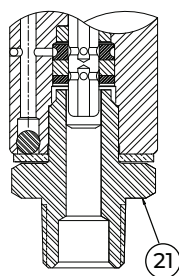
Item	Description	Standard Steel Part Number	Stainless Steel Part Number
1-22	FL-1 repair kit	13864	37518
	Adapter bolt (1) <sup>2</sup>	---	---
	Brass washer (2)	---	---
	Poppet (4)	---	---
	Spacer (5)	---	---
	Flange (6)	---	---
	Spring (7)	---	---
	Piston assembly (8)	---	---
	Steel washer (12)	---	---
	Packing, viton (13)	---	---
	O-ring, viton (14)	---	---
	Poppet seal, viton (16)	---	---
	Packing, viton (17)	---	---
	Steel washer (18)	---	---
	Washer (19)	---	---
	O-ring (20)	---	---
	Washer (22)	---	---
13-18	FL-1 soft parts kit	13862	
	Packing, viton (13)	---	---
	O-ring, viton (14)	---	---
	Poppet seal, viton (16)	---	---
	Steel washer (18)	---	---
3	Manifold	See How to Order	
9 <sup>1</sup>	Housing	HSG-13735A	HSG-13735A-SS
10	Jam nut	NUT-13738A	NUT-13738A-SS
11	Adjusting screw	SCR-13739A	SCR-13739A-SS
15	Bleed fitting assembly	FIT-13859A	FIT-13859A-SS
21 <sup>2</sup>	Adapter (3/8" NPT)	ADA-13841A	---

<sup>1</sup> Torque to 25-30 ft·lb  
<sup>2</sup> Torque to 45-50 ft·lb



**ATTENTION**

Manifold Plug Kit available:  
 Part Number 37233



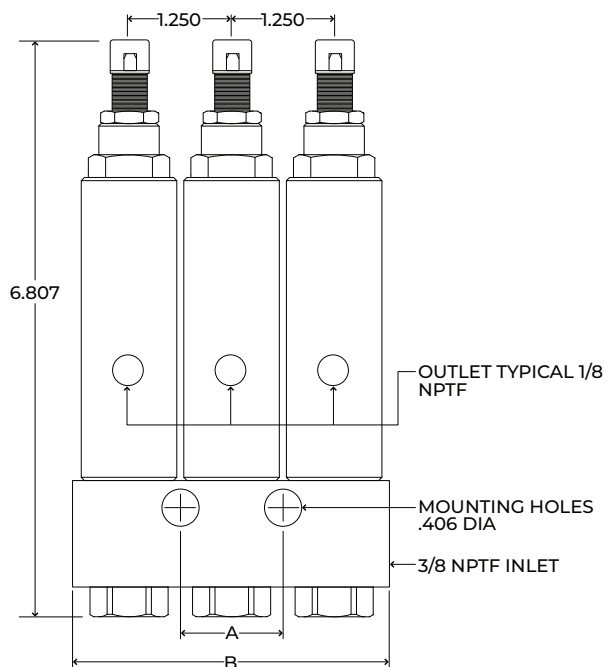
**BIJUR DELIMON INTERNATIONAL**

(800) 631-0168 TOLL-FREE  
 (919) 465-0516 FAX  
 SALES@BIJURDELIMON.COM

[WWW.BIJURDELIMON.COM](http://WWW.BIJURDELIMON.COM)

**DIMENSIONAL SCHEMATICS**

*Measurements shown in inches.*



Part Number	A	B
FL11	Single hole mounting	2.5"
FL12	Single hole mounting	3"
FL13	1.25"	4.25"
FL14	2.5"	5.5"
FL15	3.75"	6.75"
FL16	5"	8"
13844	---	---
13843	---	---

**BIJUR DELIMON INTERNATIONAL**

(800) 631-0168 TOLL-FREE  
 (919) 465-0516 FAX  
 SALES@BIJURDELIMON.COM

[WWW.BIJURDELIMON.COM](http://WWW.BIJURDELIMON.COM)