

FL-32 Injectors

Grease

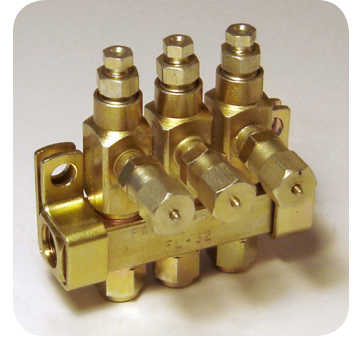
General

Single and manifold injectors are adjustable up to 0.131 cc (0.008 cubic inches) discharge per cycle.

Each manifold includes two mounting clips and screws (1/4" – 20 thread x 1/2" long hex head).

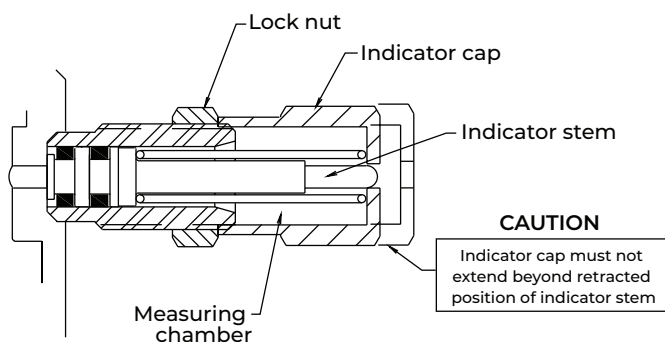
Technical Data

Minimum Operating Pressure	1200 psi (82 bar)
Maximum Operating Pressure	3500 psi (238 bar)
Maximum Vent (Recharge Pressure)	200 psi (14 bar)
Grease	To NLGI grade 2
Minimum Grease Discharge	0.016cc (0.001 cu. in.)
Maximum Grease Discharge	0.131cc (0.008 cu. in.)
Adjusting Cap Range	5 turns from minimum
Material	Carbon steel, 300 series stainless steel
Surface Protection	Zinc
Seals	Viton
Maximum Operating Temperature	350°F (176°C)
Manifold Injector Inlet	1/4" NPTF (F)
Injector Outlet	1/8" O.D. tube connection



Notes Regarding Use

1. Check discharge output from injector if cap is adjusted to less than 1/2 turn from minimum.
2. Use clean grease of proper grade as recommended by machine manufacturer. Check compatibility with synthetic lubricants.
3. Grease must be capable of being successfully primed through small bore tubing under pressure without separating.



BIJUR DELIMON INTERNATIONAL

(919) 465 4448 LOCAL
(800) 631 0168 TOLL-FREE
(919) 465 0516 FAX

WWW.BIJURDELIMON.COM

Adjustment

Injector output is controlled by the position of the indicator cap. The location of the cap determines the travel of the discharge piston. When the indicator is fully tightened onto the measuring chamber, lubricant output is decreased to a minimum. Retracting the indicator cap five full turns permits a maximum of .008 cu. in. to be discharged. Turning the indicator cap beyond five full turns will not increase lubricant output. When the individual injector has been adjusted to the desired output, tighten locknut against face of the indicator cap.

How to Order

# of Outlets	Part #	
	Carbon Steel	300 Series Stainless Steel
1 (direct mount)	27163	27163-SS
1	27163-1	27163-1SS
2	27163-2	27163-2SS
3	27163-3	27163-3SS
4	27163-4	27163-4SS
Replacement (no manifold)	27163-R	27163-RSS

When Ordering:

Specify by name and part number.

Example:

FL-32 Grease Injector, Part #27163

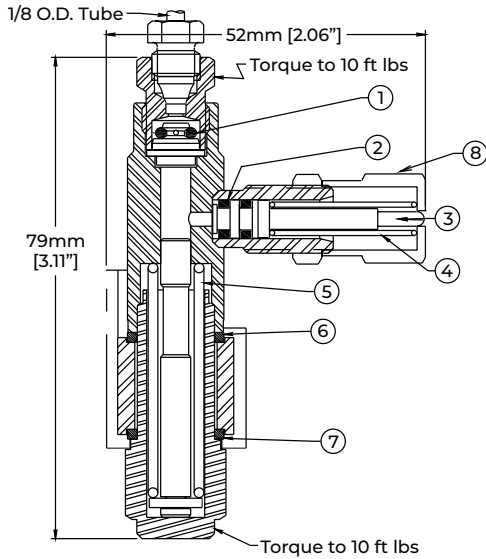
BIJUR DELIMON INTERNATIONAL

(919) 465 4448 LOCAL
 (800) 631 0168 TOLL-FREE
 (919) 465 0516 FAX

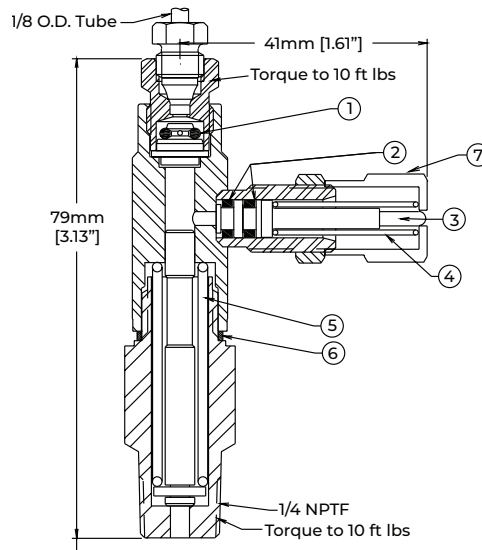
WWW.BIJURDELIMON.COM

Service Parts

Manifold Mount



Direct Mount



NOTE:

Replacement Outlet fittings:
P.N. 27339 Compression Bushing
P.N. 27338 Compression Sleeve

Item	Description
1	O-ring
2	Seal
3	Indicator
4	Spring
5	Spring
6	Seal washer
7	Seal washer
8	Indicator cap
All of the above	Repair kit, steel (Part #27355) Repair kit, stainless steel (Part #27856)

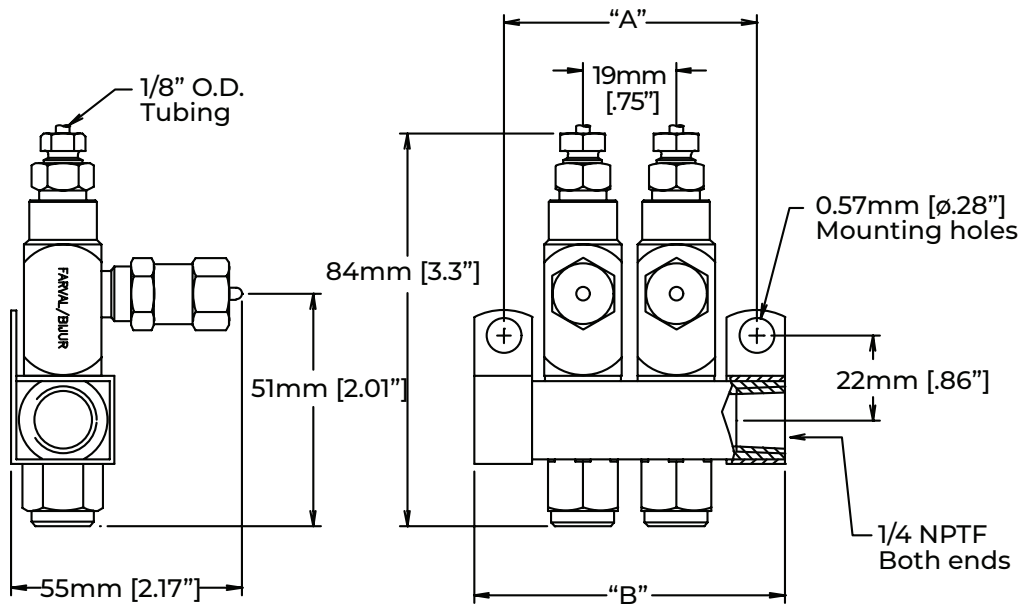
Item	Description
1	O-ring
2	Seal
3	Indicator
4	Spring
5	Spring
6	Seal washer
7	Indicator cap
All of the above	Repair kit, steel (Part #27355-1) Repair kit, stainless steel (Part #27856-1)

BIJUR DELIMON INTERNATIONAL

(919) 465 4448 LOCAL
(800) 631 0168 TOLL-FREE
(919) 465 0516 FAX

WWW.BIJURDELIMON.COM

Dimensional Schematics



Part #		Dimensions	
Carbon Steel	300 Series Stainless Steel	A	B
27163	27163-SS	Single injector, direct mount [1/4" NPTF (M)]	
27163-1	27163-1SS	32mm (1-1/4")	44mm (1-3/4")
27163-2	27163-2SS	51mm (2")	63mm (2-1/2")
27163-3	27163-3SS	70mm (2-3/4")	82mm (3-1/4")
27163-4	27163-4SS	89mm (3-1/2")	102mm (4")
27163-R	27163-RSS	Replacement for manifolded mounted injectors	

BIJUR DELIMON INTERNATIONAL

(919) 465 4448 LOCAL
 (800) 631 0168 TOLL-FREE
 (919) 465 0516 FAX

WWW.BIJURDELIMON.COM