

L5H Lubricator

Manual, One Shot, Pull Type

Operation

Lubricator includes a spring return piston pump. When the tee-handle is fully raised, a predetermined volume of oil fills the cylinder and the pump spring is compressed. Releasing the handle forces oil into the distribution system. Lubricator will deliver 5cc per stroke of the piston. The lubricator should be operated at intervals recommended by the machine manufacturer.

Startup Instructions

Fill reservoir; operate lubricator until oil flows freely at all bearings.

Maintenance

Filter Replacement

A filter at pump inlet protects the lubricating system and should be inspected every six months. If not clean, replace. To remove filter, pry out snap ring with screwdriver and remove filter disc and screens. To re-install, insert in the following order: filter disc support (coarse screen), filter disc support screen (fine screen), filter disc, filter clamp ring, and filter snap ring.

How to Order

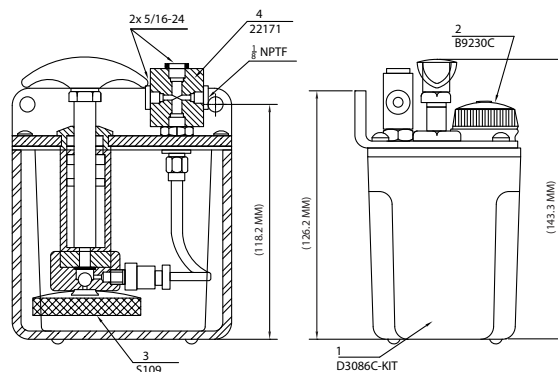
Name	# of Outlets	Part #
Lubricator L5H	1	D3274C
Lubricator L5H-3	3	D3508C

When ordering, specify name and part number, such as: Lubricator L5H, Part #D3274C.

Service Parts

Order service parts by part number and description shown in table. Include complete part number and serial letters of the lubricator as shown on the nameplate. **Example:** S109 Filter Group for Lubricator D3274C Serial JI. For major repairs requiring parts not identified on the drawing, return lubricator for factory rebuilding and adjustment. If a new lubricator is required for replacement, order by part number shown on nameplate.

Item	Part #	Description
1	D3086C-KIT	Reservoir Assembly Group
2	B9230C	Filler Cap
3	S109	Filter Group
4	22171*	3-way Junction
*D3508C only		



ATTENTION

Use clean oil only of the type and viscosity recommended by machine manufacturer.

ATTENTION

Replace filter group annually.

BIJUR DELIMON INTERNATIONAL

(919) 465 4448 LOCAL
 (800) 631 0168 TOLL-FREE
 (919) 465 0516 FAX

WWW.BIJURDELIMON.COM

2100 Gateway Centre Blvd., Suite 109
 Morrisville, NC 27560