

SPIN-REV® Lubricator

Air/Oil Lubrication Systems



General

The SPIN-REV Lubricator eliminates residual drift of oil fog or mist during operation. The system utilizes a pressurized oil supply and individual metering devices to carry a wide range of oil viscosities to a variety of high speed, single and multi-spindle applications.

The SPIN-REV Lubricator is capable of delivering very small quantities of lubrication in a continuous mode. Oil is carried through flexible delivery lines to lubrication points (gears, cams, chains, or antifriction bearings). A separate oil line is contained coaxially within the air-line thus preventing the formation of condensation within the air the lines.

Spray droplets (not mist) are generated at the ends of the distribution line nozzles which eliminate intermittent oil delivery. Optimum lubrication is achieved.

Application

- + High speed bearings
- + Enclosed housings
- + Single and multiple spindles
- + High velocity surfaces

Operation

1. Filtered shop air pressurizes the SPIN-REV Lubricator.
2. Separate lines carry air and oil to the oil-delivery control unit inside the manifold block assembly.
3. Coaxial distribution delivery tube carries air/oil to bearings (lubrication points).
4. Air and oil is mixed at nozzle assembly.
5. Controlled spray droplets are delivered to bearings (lubrication points).
6. System is monitored for low oil level and low oil and air operating pressure (optional).

Features

- + Precise oil flow control
- + Continuous oil delivery
- + Coaxial feed lines
- + Flexible design
- + Handles wide oil viscosity range

Technical Data

| | |
|------------------------------|-------------------|
| Operating Air Pressure Range | 0-35 psi |
| Maximum Air Consumption | 2 scfm per outlet |
| Voltage | 115 VAC 50/60 Hz |
| Oil Viscosity Range | 40-8000 SSU |
| Oil Filter | 25P micron |
| Outlets | 1-4 |



ATTENTION

Use clean oil only of the type and viscosity recommended by machine manufacturer.

ATTENTION

Replace filter group annually.

WARNING

Never remove filler plug when unit is in operation.

BIJUR DELIMON INTERNATIONAL

(919) 465 4448 LOCAL
(800) 631 0168 TOLL-FREE
(919) 465 0516 FAX

WWW.BIJURDELIMON.COM

2100 Gateway Centre Blvd., Suite 109
Morrisville, NC 27560

35604 • R0 01/09

How to Order

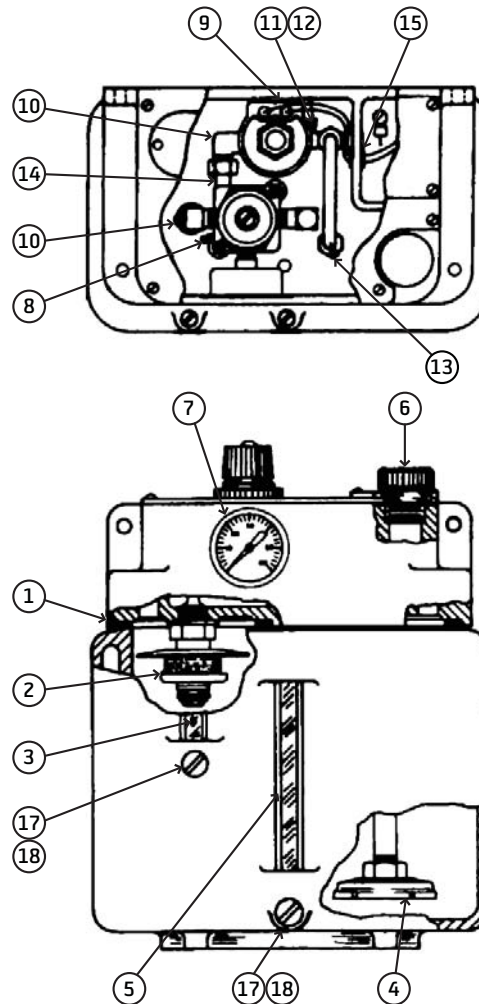
| Name | Part # |
|---------------------|--------|
| SPIN-REV Lubricator | D3903* |

* SPIN-REV Lubricator also available in kit (part #K1157). See page 3.

When ordering, specify by name and part number, e.g. SPIN-REV Lubricator, Part #D3903.

Service Parts

| Item | Description | Part # |
|------|-----------------------------------|---------|
| 1 | Reservoir gasket | B6275 |
| 2 | Air filter group | S205 |
| 3 | Air sight gauge group | S216 |
| 4 | Liquid filter group | S181 |
| 5 | Liquid sight gauge group (for UB) | S208 |
| | Liquid sight gauge group (for UC) | S217 |
| 6 | Filler plug assembly | B6303 |
| 7 | Pressure gauge | B10114 |
| 8 | Regulator | B9779 |
| 9 | Solenoid coil (for 120 VAC) | C3245-1 |
| 10 | Elbow adapter | B7743 |
| 11 | Elbow connector | A2833 |
| 12 | Straight adapter | B6086 |
| 13 | Tubing assembly | B9781 |
| 14 | Tubing assembly | B9778 |
| 15 | Grommet | H0459 |
| 16 | Elbow connector | B1936 |
| 17 | Drain plug | B7305 |
| 18 | Drain plug seal | H0403 |
| 19 | Low level switch | HE1092 |



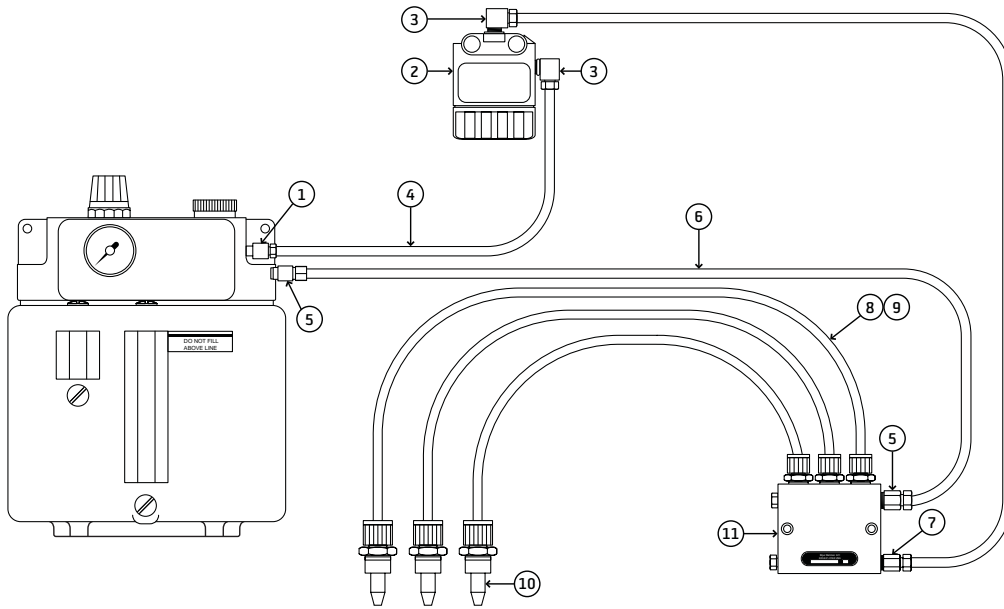
BIJUR DELIMON INTERNATIONAL

(919) 465 4448 LOCAL
 (800) 631 0168 TOLL-FREE
 (919) 465 0516 FAX

WWW.BIJURDELIMON.COM

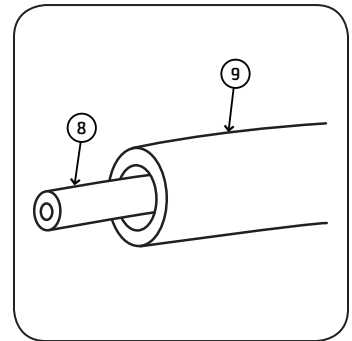
2100 Gateway Centre Blvd., Suite 109
 Morrisville, NC 27560

Accessories



ATTENTION

Items 8 and 9 must be purchased together and assembled as shown.



Part #3N20 and B8598

| Item | Description | Part # |
|------|-------------------------------------|--------------------|
| 1-7 | SPIN-REV kit | K1157 ¹ |
| | Straight adapter (1) | A2835 ² |
| | 90° adapter (1) | A3080 ² |
| | Line filter (2) | 19850 |
| | Compression bushing (3) | B1371 |
| | Compression sleeve (3) | B8272 |
| | 5/32" O.D. oil line (4) | 5N25 |
| | Straight adapter (5) | B10708 |
| | Reducer (5) | B6131 |
| | 1/4" O.D. air line (6) | B8598 |
| | Check valve (7) | B6999 ² |
| 8 | 3/32" O.D. nylon tubing | 3N20 |
| 9 | 1/4" O.D. nylon tubing | B8598 |
| 10 | Nozzle (1 rating, .040 orifice DIA) | B10752-1 |
| | Nozzle (2 rating, .055 orifice DIA) | B10752-2 |
| 11 | Block assembly ³ | |
| | 1 outlet | 15022-1 |
| | 2 outlet | 15022-2 |
| | 3 outlet | 15022-3 |
| | 4 outlet | 15022-4 |

¹ SPIN-REV kit includes SPIN-REV Lubricator (part #D3903)

² Must order this item with either a compression bushing (part #B1371) or compression sleeve (part #B8272)

³ Please select control units from the chart to the right (1 outlet= 1 control unit, 2 outlet= 2 control units, etc.)

Control Units

| Flow Rate | Part # |
|-----------|--------|
| 5/0 | B7164 |
| 4/0 | B7165 |
| 3/0 | B7166 |
| 00 | B7167 |
| 0 | B7168 |
| 1 | B7169 |
| 2 | B7170 |
| 3 | B7171 |
| 4 | B7172 |
| 5 | B7173 |

BIJUR DELIMON INTERNATIONAL

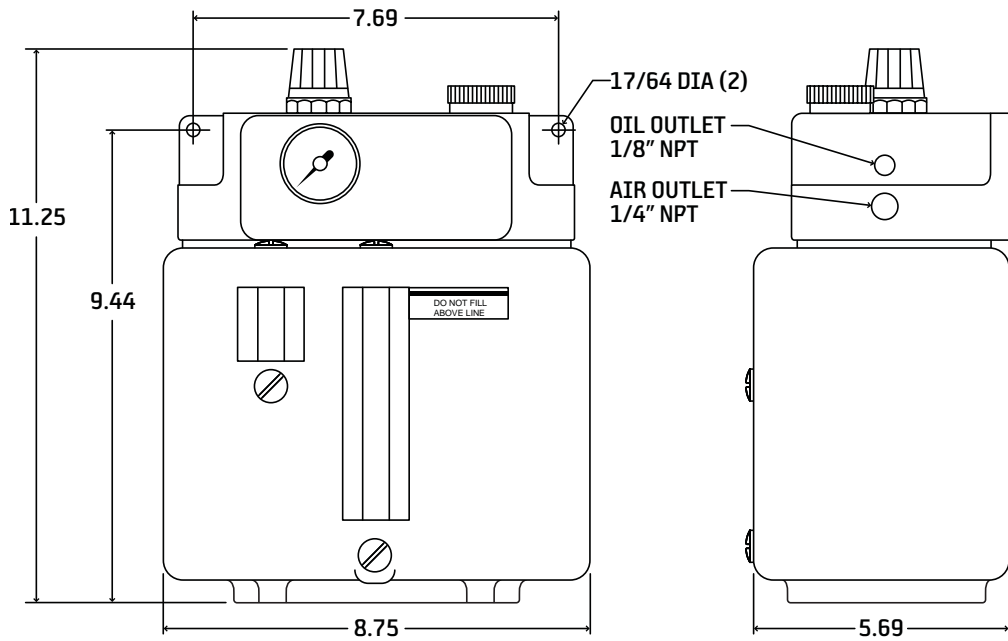
(919) 465 4448 LOCAL
(800) 631 0168 TOLL-FREE
(919) 465 0516 FAX

WWW.BIJURDELIMON.COM

2100 Gateway Centre Blvd., Suite 109
Morrisville, NC 27560

Dimensional Schematics

Measurements shown in inches.



BIJUR DELIMON INTERNATIONAL

(919) 465 4448 LOCAL
(800) 631 0168 TOLL-FREE
(919) 465 0516 FAX

WWW.BIJURDELIMON.COM

2100 Gateway Centre Blvd., Suite 109
Morrisville, NC 27560