

Solenoid Valve

Shut Off/ Zone Valve

General

The Solenoid Valve is electrically-operated and is used to open or close lubrication lines for zone systems, alternating system pumps and other applications where a user needs automatic operation. A D05 subplate with mounting bolts is included. When mounted to a D05 subplate, standard configuration is normally closed.

Features

- + High Tank Port Pressure (up to 3,000 psi).
- + Electrical box with indicator lights and terminal strip connection standard.
- + Indicator lamps to diagnose connection; plug-in coils provide easy changing without disturbing wiring.
- + Plug in coils are easily changed without disturbing the wiring.

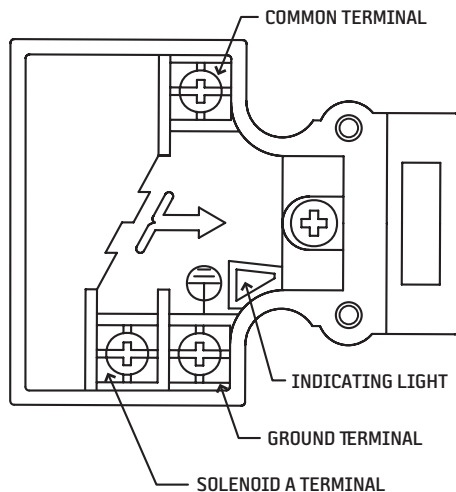


- + AC coils are rated for both 50/60 Hz (Rewiring not required).
- + Do NOT supply electrical power to the AC coils unless the coil is mounted on valve.
- + Do NOT exceed voltage specifications listed here.
- + Electrical power should be maintained on detented valves. Detent only maintains start-up position of valve.
- + PLC or remote operation is required.

Technical Data

	39909	37214	37196
Applied Voltage	120 VAC	240 VAC	24 VDC
Frequency	60 Hz	60 Hz	---
Holding Current	0.49 amp	0.24 amp	1.5 amp
Holding Power	34 W	33 W	36 W
Voltage Range	80-130 V	180-250 V	21.6-26.4 V
Max. Operating Pressure	5000 psi (345 bar)		
Operating Temperature	41°F to 140°F (5°C to 60°C)		
Lubricants	Oil, Grease up to NLGI #2		
Maximum Flow	Up to 12 gpm		
Weight	7.9 lb (3.6 kg)		

Wiring



BIJUR DELIMON INTERNATIONAL

(919) 465 4448 LOCAL
 (800) 631 0168 TOLL-FREE
 (919) 465 0516 FAX

WWW.BIJURDELIMON.COM

2250 Perimeter Park Dr., Suite 120
 Morrisville, NC 27560

How To Order

Name	Description	Part #
Solenoid Valve	Complete assembly	115 VAC single coil, zoning valve and subplate
		230 VAC single coil, zoning valve and subplate
		24 VDC single coil, zoning valve and subplate
	No subplate	115 VAC single coil and zoning valve
		230 VAC single coil and zoning valve
		24 VDC single coil and zoning valve

* Subplate shipped mounted to valve

When ordering, specify by name, description and part number, e.g. Solenoid Valve, Complete Assembly, 115 VAC Single Coil, Part #39909.

Accessories

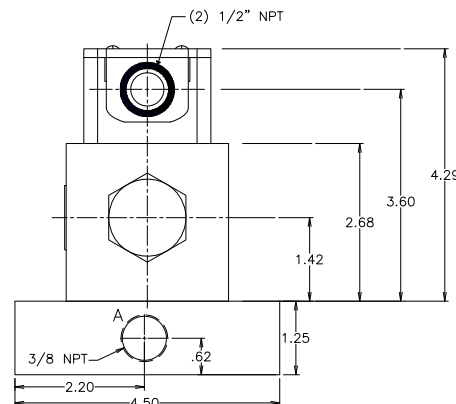
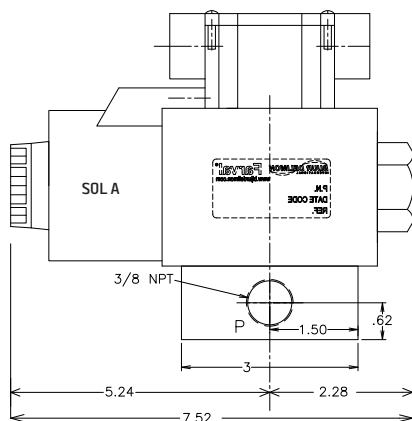
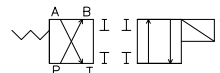
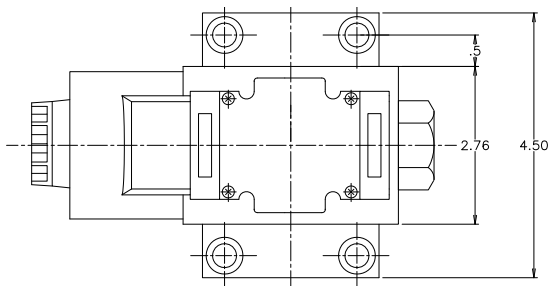
Description	Part #
Subplate	39906
115 VAC single coil (replacement)	39911RC**
230 VAC single coil (replacement)	39912RC**
24 VDC single coil (replacement)	39913

** AC valves prior to 2017 may have older AC coils which are now obsolete. These older coils are marked: 3BH-C1/C3(115VAC) or 3BH-C2/C4(230VAC)

Valves fitted with these older obsolete coils should be replaced with a new valve p.n. 39904RC or 55073RC.

Dimensional Schematics

Measurements shown in inches.



BIJUR DELIMON INTERNATIONAL

(919) 465 4448 LOCAL
(800) 631 0168 TOLL-FREE
(919) 465 0516 FAX

WWW.BIJURDELIMON.COM

2250 Perimeter Park Dr., Suite 120
Morrisville, NC 27560