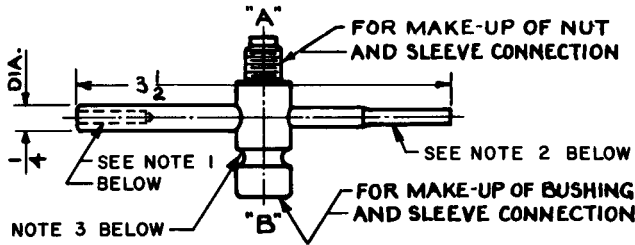


Make-up Tool



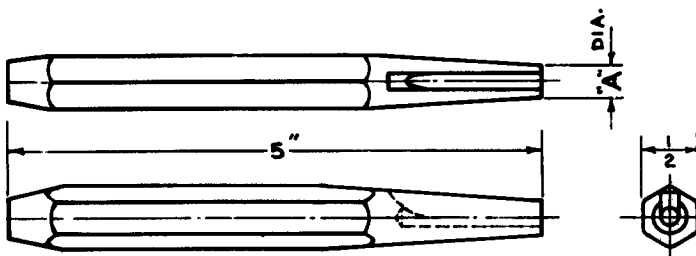
Use for making compression tubing connections (see Data Sheet #2800 and #2802).

Name	Part #	End A		End B	
		Tubing O.D.	Thread Size	Tubing O.D.	Thread Size
Make-up Tool	B3529	5/32"	5/16-24	5/32"	5/16-24

Notes

1. If the end of the tubing goes into the bottom of the hole, the tubing is straight enough and the cut-off burr is small enough to make a correct compression connection.
2. Compression sleeve go gauge.
3. Minimum bend radius.

Drive Bushing Assembly Punch



Use for installing drive bushings (see Data Sheet #2800 and #2802).

Name	Part #	Tubing O.D.	A
Drive Bushing Assembly Punch	B4117	5/32"	5/16

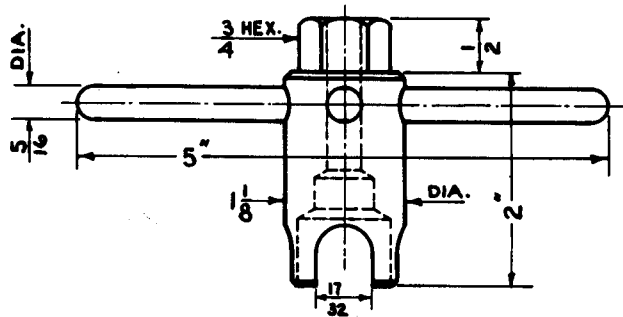
BIJUR DELIMON INTERNATIONAL

(919) 465 4448 LOCAL
 (800) 631 0168 TOLL-FREE
 (919) 465 0516 FAX

WWW.BIJURDELIMON.COM

1 Copley Parkway, Suite 104
 Morrisville, NC 27560

Meter Unit Tee Head Wrench



Use for installing tee meter units and control units (see Data Sheet #2400, #2405, #2410, #2411 and #2415).

Name	Part #
Meter Unit Tee Head Wrench	B3287

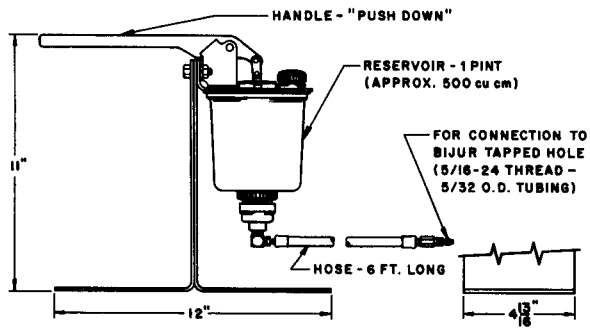
BIJUR DELIMON INTERNATIONAL

(919) 465 4448 LOCAL
(800) 631 0168 TOLL-FREE
(919) 465 0516 FAX

WWW.BIJURDELIMON.COM

1 Copley Parkway, Suite 104
Morrisville, NC 27560

Service Pump



Use for priming any Bijur Delimon lubricating system after installation.

Name	Part #
Service Pump	D2151

BIJUR DELIMON INTERNATIONAL

(919) 465 4448 LOCAL
(800) 631 0168 TOLL-FREE
(919) 465 0516 FAX

WWW.BIJURDELIMON.COM

1 Copley Parkway, Suite 104
Morrisville, NC 27560