

RetrievALL

Fluid Recovery System

General

RetrievALL consists of a series of collection tubes attached to major machine components where hydraulic oil leaks occur – each line connects to a small centralized holding reservoir from which an air-powered vacuum is generated. Escaping oil is siphoned through individual tubes to the centralized reservoir.

When oil volume in the reservoir reaches a pre-arranged level, a contact switch creates a “blowdown” condition within the container. This action expels collected oil through a special discharge port in the reservoir. The recovered oil is normally delivered through a single feed tube to a remote collection point for recycling.



Features

Oil leaks from hydraulic powered machinery cost money. Typically, a medium tonnage injection molder can leak one once per hour, which can amount to 45-68 gallons per year, based on machine usage.

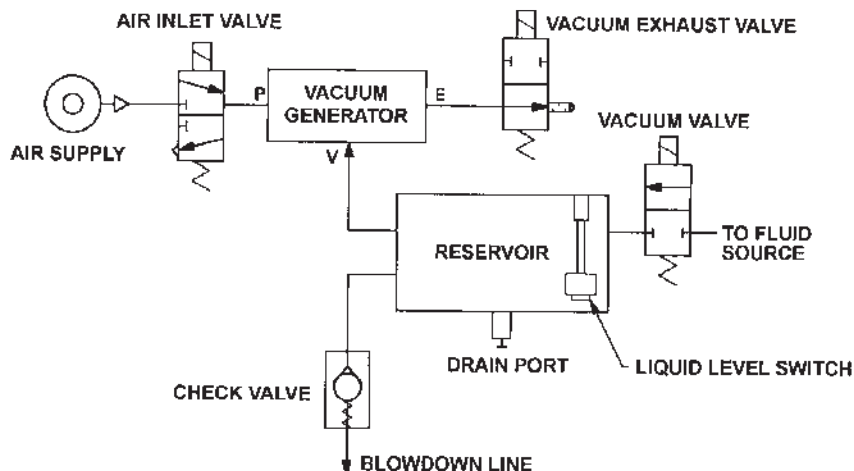
Efficient collection of oil leaking through hydraulic seals delivers the following benefits:

- + Clean work environment – good housekeeping is a sign of efficient manufacturing.
- + Improved plant safety through elimination of oil leaks creating hazardous conditions.
- + Decrease in spoilage of manufactured products.
- + Reuse of lost oil.

By utilizing a controller/totalizer, the following benefits can be attained from the fluid transfer device (supplied by others) :

- + Utilize oil recovery controller to track pre-set fault limits.
- + The controller will warn when the hydraulic oil leakage rate exceeds acceptable values.
- + Provides an early warning device to reduce unscheduled shutdowns.
- + Predictable maintenance – more time to order replacement parts, schedule repairs without production interruption.
- + The controller/totalizer keeps track of the amount of oil saved:
Blowdown cycles x volume = cost savings.

Operational Schematic



BIJUR DELIMON INTERNATIONAL

(919) 465 4448 LOCAL
(800) 631 0168 TOLL-FREE
(919) 465 0516 FAX

WWW.BIJURDELIMON.COM

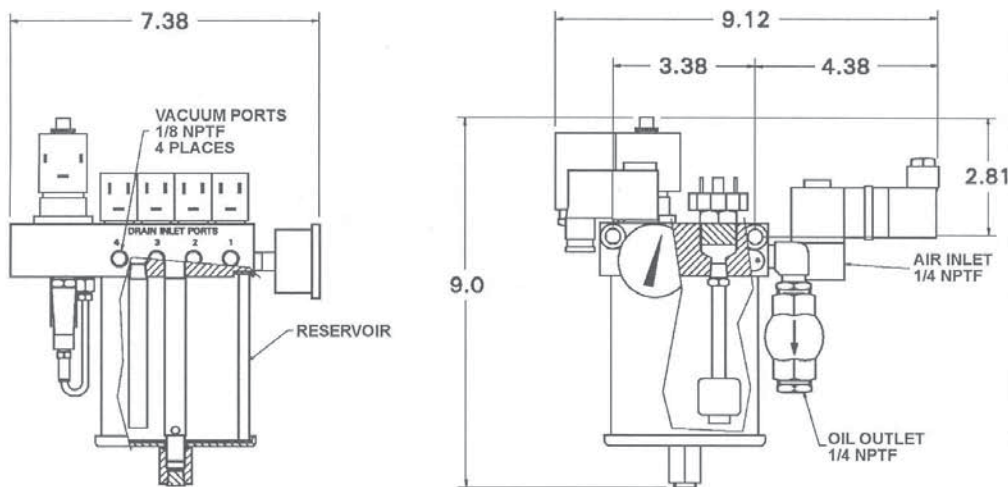
2100 Gateway Centre Blvd., Suite 109
Morrisville, NC 27560

How to Order

Part #	Inlets	Special Features	Voltages			
			Vacuum Valve	Solenoid Valve	Level Switch	Exhaust Valve
2555200	4	---	24VDC	24VDC	24VDC	24VDC
2090199	4	Check valve, 1/2 NPT				
37385	4	Filter				

When ordering, specify by name, inlet quantity, special features and part number, e.g. Retrieval with 4 inlets, filter and level switch, Part #37385.

Installation Diagram



BIJUR DELIMON INTERNATIONAL

(919) 465 4448 LOCAL
 (800) 631 0168 TOLL-FREE
 (919) 465 0516 FAX

WWW.BIJURDELIMON.COM

2100 Gateway Centre Blvd., Suite 109
 Morrisville, NC 27560