

SKA881 Lubricator

Pneumatic Reciprocating, Grease & Oil, Dualine/Injector/Progressive

General

The SKA881 Lubricator is an air-operated pneumatic reciprocating lubricator that discharges a fixed amount of lubricant into systems during a lubrication cycle. It includes a transparent reservoir, spring loaded follower on grease models, vent valve assembly on injector models and a filler fitting for refilling of grease reservoir. Oil reservoirs have a flip cap & strainer.

Operation

As compressed air is introduced into the lubricator, the piston moves forward, forcing lubricant out of the lubricator. The air valve is then automatically triggered, causing the piston to change direction and move to its original position. The system is now ready for lubricant to be drawn into the cavity. Compressed air is introduced to the system again and the cycle repeats itself.

Application

The SKA881 Lubricator is designed to work with all three of our most popular systems below:

- Dualine Valves (such as DD & DM)
- Positive Displacement Injectors (such as FL series injectors)
- Progressive Dividers (such as M2500G, 3000 and PVB/PVBM)

Features

- + High output pressure that can be controlled by regulated air supply pressure.
- + Air operated reciprocating pump 28:1 ratio
- + Dualine version is plate mounted including FRL, grease strainer and Reversing valve.
- + Grease versions all include low level switch as standard

Technical Data

Reservoir Capacity	Grease	2.5 & 5 liter (5 & 10 lb)
	Oil	2.25 & 5 liter (2.5 & 5.5 qt)
Lubricant Range	Grease	NLGI grade 000-2
	Oil	ISO 32 TO 1700 cSt (150 to 8000 SSU)
Outlet Pressure Range		2840 psi (196 bar) max
Pressure Ratio		28:1
Output/Min @ 100 psi air		85cc (5.2 cu. in.)
Air Inlet	Dualine	3/8" NPT(F)
	Injector	1/8" NPT(F)
	Progressive	1/8" BSPT(F)
Lube Outlet	Dualine	3/8" NPT(F)
	Injector/Progressive	1/4" NPT(F)
Air Supply Pressure Range		40-100 psi (3-7 bar)
Reservoir Material		Translucent acrylic & Steel

Note: Injector and Progressive lubricators requires a 3-way solenoid air valve, sold separate.



SKA881 - Injector Grease Version



DPG - Dualine Grease Version

Refer to the following documents:

- + ExactoServe Catalog #414: Injectors and accessories
- + Singline Progressive Catalog # SL2800
- + Dualine Catalog # DL29
- + Fittings & Accessories Catalog #151

BIJUR DELIMON INTERNATIONAL

(919) 465 4448 LOCAL
(800) 631 0168 TOLL-FREE
(919) 465 0516 FAX

WWW.BIJURDELIMON.COM

1 Copley Parkway, Suite 104
Morrisville, NC 27560

36838 • R0 09/22

How To Order - All Models

Name	Type		Lubricator Part #	Low Level Switch	Reservoir Size/Type	Reservoir Part #
SKA881 Lubricator Grease	Dualine	24VDC	39948-1	Yes	5L (10 lb) Plastic	T32P5AC
		120VAC	39948	Yes	5L (10 lb) Plastic	T32P5AC
	Injector		32005-2	Yes	2.5L (5 lb) Steel	T30S5AC
			32005-4	Yes	2.5L (5 lb) Plastic	T30P5AC
			32005-8	Yes	5L (10 lb) Plastic	T32P5AC
	Progressive		27414	Yes	2.5L (5 lb) Plastic	T30P5AC
		27416	Yes	5L (10 lb) Plastic	T32P5AC	
SKA881 Lubricator Oil	Injector		32069-15	No	2.25L (2.5 qt) Plastic	T30P4BC
			32069-7	No	5.5L (6 qt) Plastic	T32P4BC
	Progressive		85582-1	No	2.25L (2.5 qt) Plastic	T30P4BC
			85582-2	No	5.5L (6 qt) Plastic	T32P4BC

When ordering, specify by name, lubricant, low level switch and part number, e.g. SKA881 Lubricator, Injector, 2.5 liter Grease, Low Level Switch, Part #32005-4.

Installation - Grease

Concerning the installation and start up of the central lubrication system, please follow instructions for the pump and filling of the distribution network. A grease nipple is installed on the reservoir base for filling the plastic reservoir. It is recommended that a dedicated auxiliary pail pump be obtained for pre-filling the lubrication system main lines. If you do not have a dedicated filling pump, order grease fill pump kit (part #F335). This kit includes a 55:1 high pressure pail pump, deluxe cover for #35 pail (5 gallon) and a hose kit with air & grease hoses. A grease follower plate (part #F962)

is recommended to reduce air from entering during filling process.

WARNING

The grease fill pump kit (part #F335) is high pressure. Follow instructions supplied with kit.

Start Up Instructions - Grease & Oil

- The lubricating system must be purged of all air in the main supply lines.
- Always fill the reservoir with lubricant recommended by equipment manufacturer.
Mixing greases or oils is not recommended.
- Grease version: When filling the reservoir, connect to the nipple on the base casting, then pump grease into the plastic cylinder. The metal follower plate will rise. Stop pumping when the plate reaches the top. The reservoir has a vent on the rear which will exhaust grease if overfilled.
Oil version: Fill reservoir through flip cap at top or reservoir to max fill line. Do not overfill.
- Avoid pumping air into the reservoir.

BIJUR DELIMON INTERNATIONAL

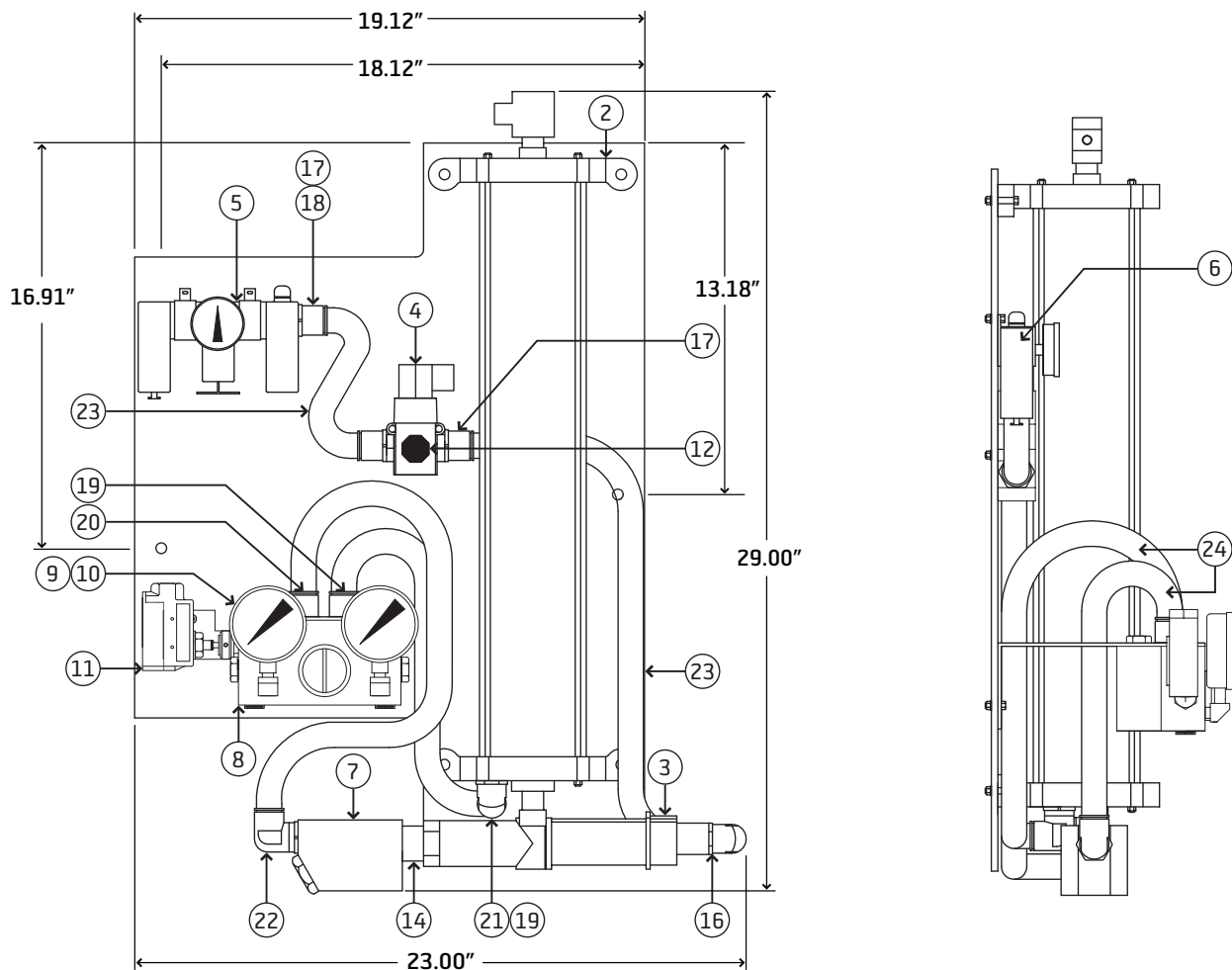
(919) 465 4448 LOCAL
(800) 631 0168 TOLL-FREE
(919) 465 0516 FAX

WWW.BIJURDELIMON.COM

1 Copley Parkway, Suite 104
Morrisville, NC 27560

Service Parts & Dimensions - Dualine Grease 39948 & 39948-1

Measurements shown in inches.



Item	Description	Part #		Part #
2	10 lb reservoir	T32P5AC		32179
3	Reciprocating pneumatic pump	33457		
4	Solenoid	120VAC	U10626A1	
		24VDC	37185	
5	FRL combo	F984		
6	FRL bracket	F989		
7	Strainer	LS02120		
8	Reversing valve	DR45		
9	Gauge	U902F		
10	ELL 90° street 1/4" NPTF	U1104B		
11	Switch & bracket assembly long	FT15801C8		
12	Breather filter vent 3/8" pipe	A4256-2		
14	Nipple 1/4" NPT x 1/4" NPT	35790-2		
16	Elbow, 5/16" tube x 1/8" NPT, PTC fitting			32179
17	Straight, 5/16" tube x 1/4" NPT, PTC fitting			20101-3
18	3/8" male x 1/4" female, bushing			FIT13682A40
19	Fitting, 3/8" tube x 1/8" NPT, straight			7962FBUS
20	Fitting, 3/8" tube x 1/4" NPT, straight			B10090-5
21	Fitting, 1/8" NPT x 1/8" NPT, elbow			U1104AS
22	Fitting, 3/8" tube x 1/4" NPT, elbow			B10092-4
23	Tubing, nylon 5/16"			20100
24	Tubing SS 3/8"			7938049304WSS

BIJUR DELIMON INTERNATIONAL

(919) 465 4448 LOCAL
 (800) 631 0168 TOLL-FREE
 (919) 465 0516 FAX

WWW.BIJURDELIMON.COM

1 Copley Parkway, Suite 104
 Morrisville, NC 27560

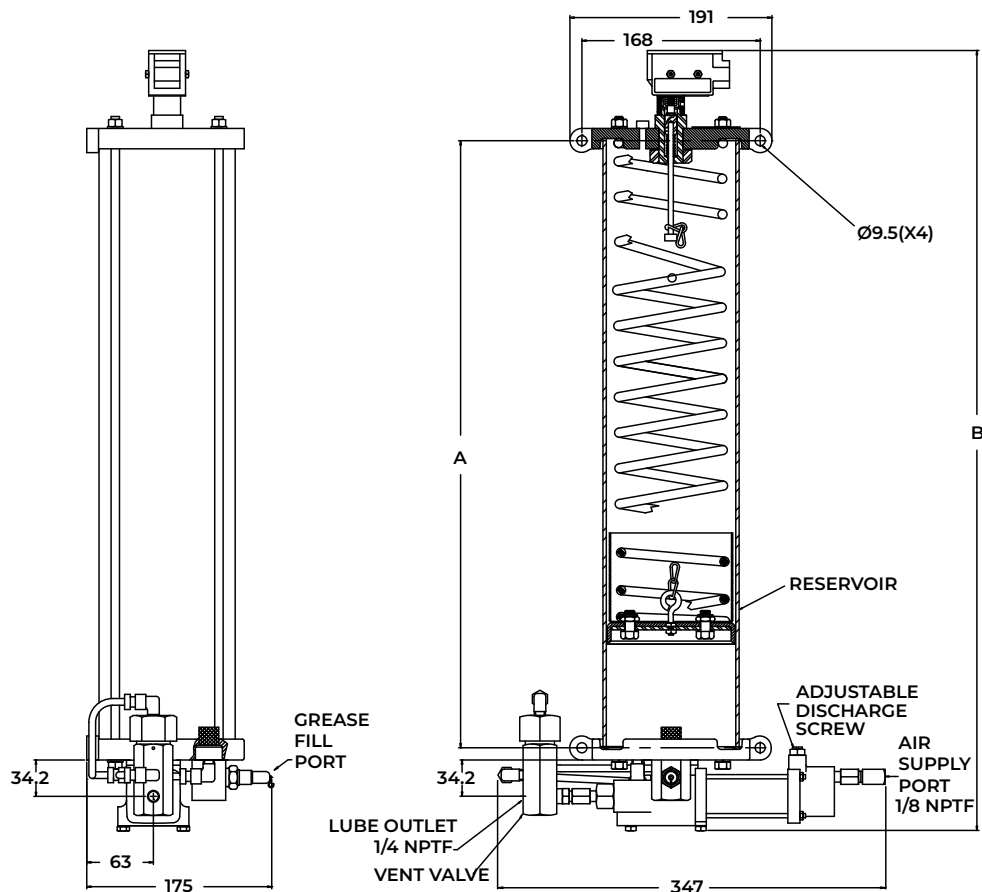
36838 • R0 09/22

Service Parts - Injector Grease Models

Complete Part #	Pump	Vent Valve	Low Level Switch	Reservoir Size/Type	Reservoir Part #
32005-2				2.5L (5 lb) Steel	T30S5AC
32005-4	33457	27708	30544	2.5L (5 lb) Plastic	T30P5AC
32005-8				5L (10 lb) Plastic	T32P5AC

Dimensional Schematics

Grease



Measurements shown in millimeters.

Dimensions	2.5 L Steel LLS	2.5 L Plastic LLS	5.0 L LLS
A	395	395	573
B	589	589	767

BIJUR DELIMON INTERNATIONAL

(919) 465 4448 LOCAL
 (800) 631 0168 TOLL-FREE
 (919) 465 0516 FAX

WWW.BIJURDELIMON.COM

1 Copley Parkway, Suite 104
 Morrisville, NC 27560

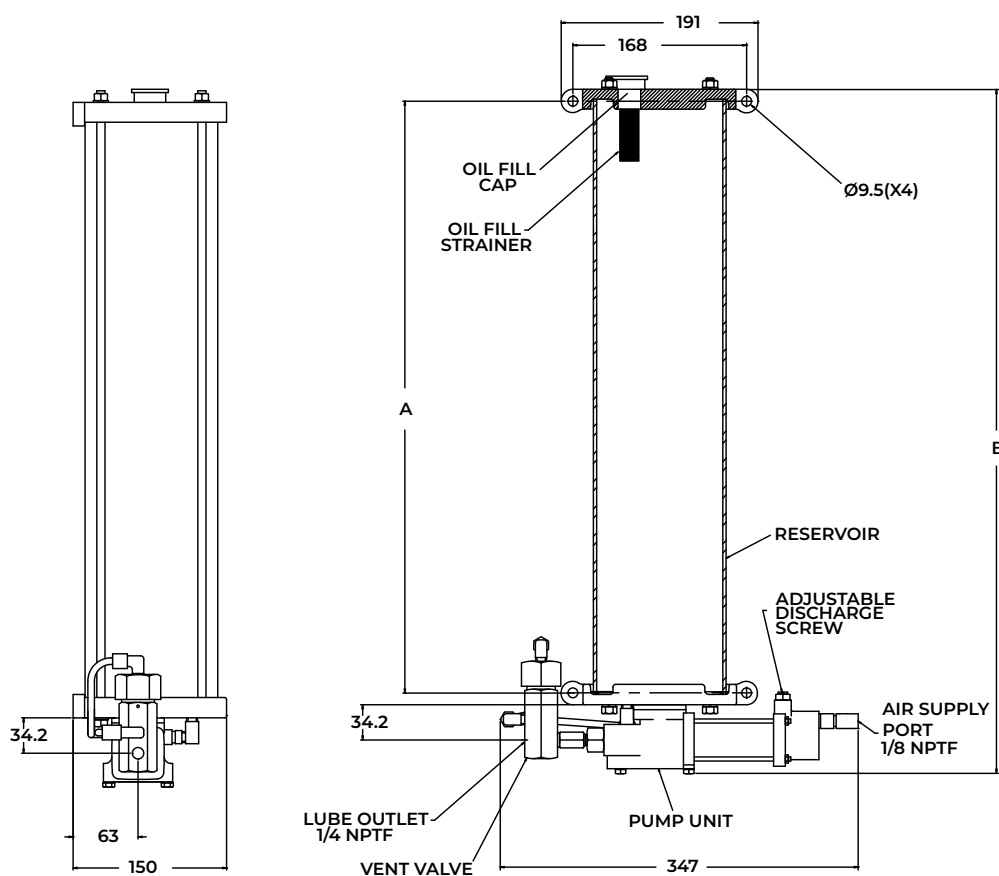
Service Parts - Injector Oil Models

Complete Part #	Pump	Vent Valve	Oil Fill Cap	Oil Fill Strainer	Reservoir Size/Type	Reservoir Part #
32069-15	33457	27708	32114	32116-1	2.25L (2.5 qt) Plastic	T30P4BC
32069-7					5.5L (6 qt) Plastic	T32P4BC

Dimensional Schematics

Oil

Measurements shown in millimeters.



Dimensions	2.25 L	5.5 L
A	232	573
B	396	737

BIJUR DELIMON INTERNATIONAL

(919) 465 4448 LOCAL
 (800) 631 0168 TOLL-FREE
 (919) 465 0516 FAX

WWW.BIJURDELIMON.COM

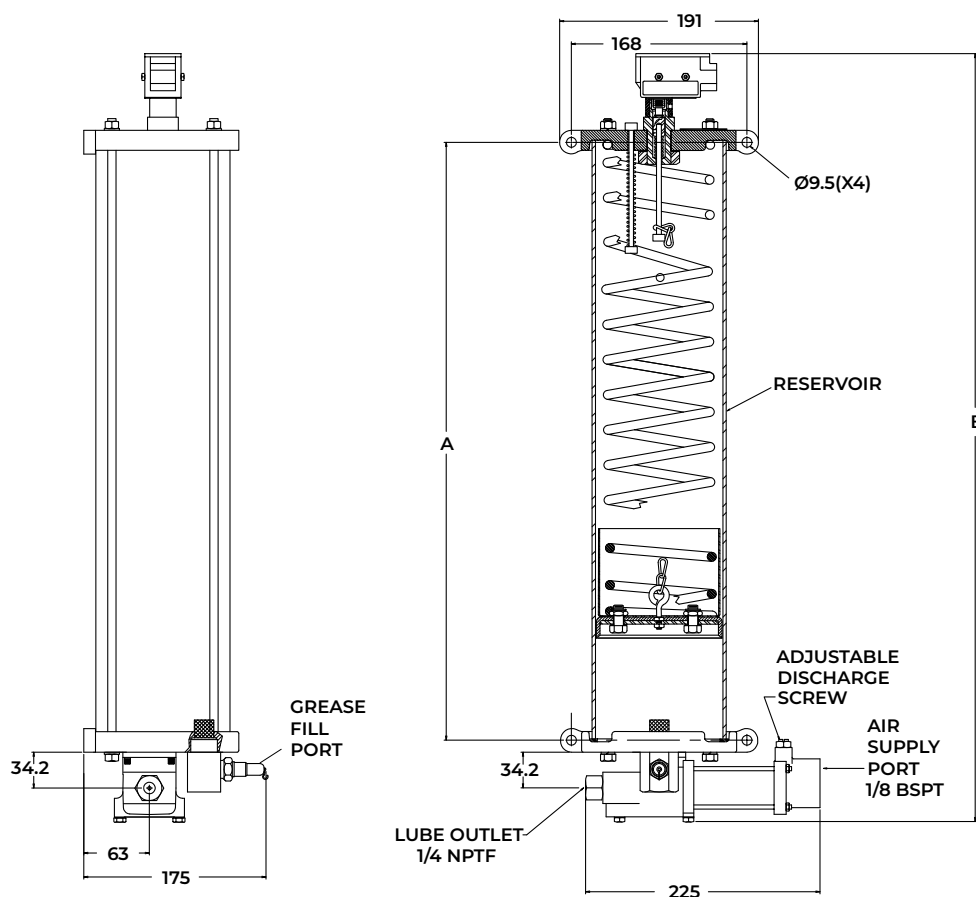
1 Copley Parkway, Suite 104
 Morrisville, NC 27560

Service Parts - Progressive Grease Models

Complete Part #	Pump	Low Level Switch	Reservoir Size/Type	Reservoir Part #
27414	33457	30544	2.5L (5 lb) Plastic	T30P5AC
27416			5L (10 lb) Plastic	T32P5AC

Dimensional Schematics

Grease



Measurements shown in millimeters.

Dimensions	2.5 L Plastic LLS	5.0 L LLS
A	395	573
B	589	767

BIJUR DELIMON INTERNATIONAL

(919) 465 4448 LOCAL
 (800) 631 0168 TOLL-FREE
 (919) 465 0516 FAX

WWW.BIJURDELIMON.COM

1 Copley Parkway, Suite 104
 Morrisville, NC 27560

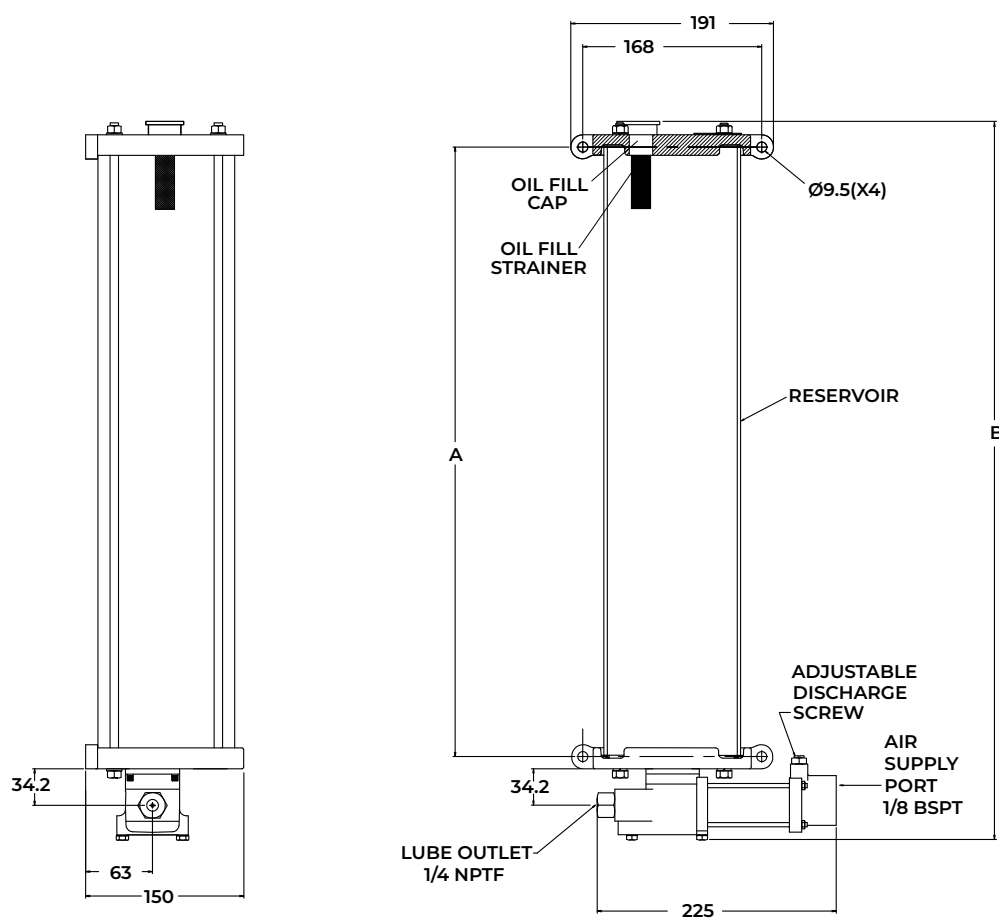
Service Parts - Progressive Oil Models

Complete Part #	Pump	Oil Fill Cap	Oil Fill Strainer	Reservoir Size/Type	Reservoir Part #
85582-1	33457	32114	32116-1	2.25L (2.5 qt) Plastic	T30P4BC
85582-2				5.5L (6 qt) Plastic	T32P4BC

Dimensional Schematics

Oil

Measurements shown in millimeters.



Dimensions	2.25 L	5.5 L
A	232	573
B	396	737

BIJUR DELIMON INTERNATIONAL

(919) 465 4448 LOCAL
 (800) 631 0168 TOLL-FREE
 (919) 465 0516 FAX

WWW.BIJURDELIMON.COM

1 Copley Parkway, Suite 104
 Morrisville, NC 27560