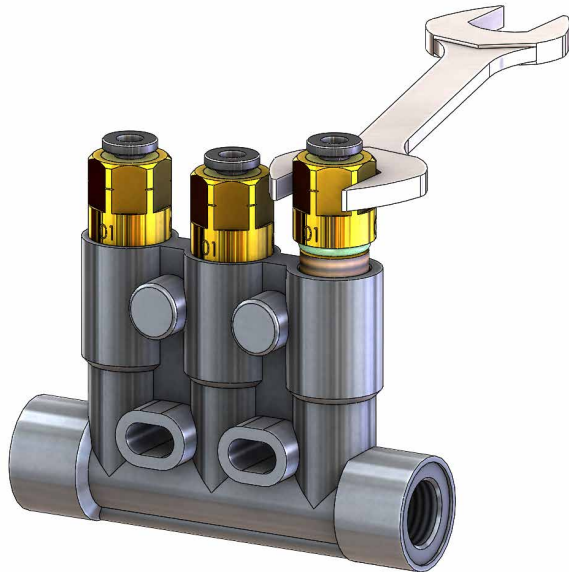


Technical Sheet

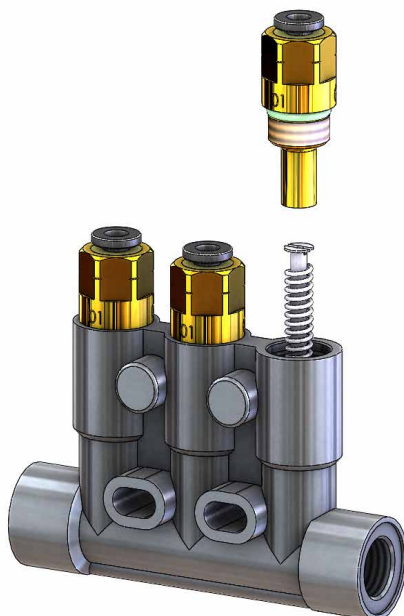
ZEM Injector Replacement Caps

Removal and Installation Instructions



ZEM353C injectors

1. Mount ZEM assembly carefully and rigidly in a vice.
2. Open and remove cap using a 11mm Spanner (or 11mm Socket) turning counter-clockwise and remove it from the assembly.
3. It is recommended to replace the spring when replacing a cap. (On new injector assemblies there is no need to replace the spring).
4. Ensure the new cap has the o-ring (green) installed prior to fitting it to the ZEM housing.
5. Hand tighten the new cap ensuring all components are lined up correctly and are not damaged. Apply axial force as necessary to compress the spring, until thread engages.
6. Tighten the cap with the 11mm Spanner (or 11mm Socket) turning clockwise. It is recommended to torque the cap to 60 Inch Pounds (6.75 Nm)



Refer to the following data sheets:

+ Data sheet #: 35135
ZEM

+ Catalog #: 200
Surefire & ZEM

BIJUR DELIMON INTERNATIONAL

(919) 465 4448 LOCAL
(800) 631 0168 TOLL-FREE
(919) 465 0516 FAX

WWW.BIJURDELIMON.COM

2250 Perimeter Park Dr., Suite 120
Morrisville, NC 27560

Technical Sheet

ZEM Injector Replacement Caps

ZEM Replacement Cap Part Numbers

Kit Description	Push-to-connect		Compression	
	Discharge	Part #	Discharge	Part #
32, 33, 34 Series ZEM 32, 33, 34 replacement kit	0.01cc	23332	0.01cc	23353
	0.03cc	23333	0.03cc	23354
	0.06cc	23334	0.06cc	23355
	0.10cc	23335	0.10cc	23356
	0.16cc	23336	0.16cc	23357
	0.00cc (plug)	23388	0.00cc (plug)	23388
35 Series ZEM 35 replacement kit	0.06cc	23933	0.06cc	23934
	0.10cc	23342	0.10cc	23363
	0.20cc	23343	0.20cc	23364
	0.30cc	70054	0.30cc	70053
	0.40cc	23344	0.40cc	23365
	0.60cc	23345	0.60cc	23366
	0.00cc (plug)	23389	0.00cc (plug)	23389
39 Series ZEM 39 replacement kit	0.20cc	23346	0.20cc	70058
	0.30cc	70056	0.30cc	70055
	0.40cc	23347	0.40cc	23368
	0.60cc	23348	0.60cc	23369
	1.00cc	23349	1.00cc	23370
	1.50cc	23350	1.50cc	23371
	0.00cc (plug)	23390	0.00cc (plug)	23390

Note: Each kit comes with (1) end cap, (1) o-ring and (1) spring.

REPLACEMENT KIT-PTC (PART #23334)



REPLACEMENT KIT-COMP (PART #23355)



BIJUR DELIMON INTERNATIONAL

(919) 465 4448 LOCAL
 (800) 631 0168 TOLL-FREE
 (919) 465 0516 FAX

WWW.BIJURDELIMON.COM

2250 Perimeter Park Dr., Suite 120
 Morrisville, NC 27560