

JS & JSP Series Lubricators

Motor-driven, Progressive/SLR and PDI Systems

General

The JS/JSP Series Lubricator motorized oil/grease pumps are piston discharge pumps driven by DC motor, controlled by a controller or PLC (not included). These lubricators are compact and have a large output flow. Pumps have a relief valve to help protect the lubrication system. The JS can be used in series progressive lubricating systems and in single line resistance systems (SLR). The JSP can be used in positive displacement injector (PDI) systems. Either can be used for light industries, forging machinery, etc.

Operation

The motor drives gears to reduce speed and actuates a piston that moves back and forth by means of a crank. With the movement, oil/grease is pulled into an opening at the base of the pump and flows out past a check valve into the lubrication lines. Fixed quantities of oil or grease can be delivered to each lubricating point at predetermined times when used with available programmed controller (sold separately). A relief valve is provided inside the pump to effectively protect lubrication system.



JSP Lubricator (Oil)

Technical Data

Motor Voltage		12 VDC & 24 VDC	
Amperage		12 VDC	4 amp
		24 VDC	2 amp
Wattage		50 W	
Maximum Operation Pressure	JS	PROG	1450 psi (100 bar)
	JSP	PDI OIL	435 psi (30 bar)
PDI GREASE		1160 psi (80 bar)	
Discharge		25 cc/min	
Reservoir Capacity		1 & 2 liter	
Thread of Outlet		1/8" NPT	
Operating Temperature Range		-20°C to 60°C (-4°F to 140°F)	
Oil Range		N32-N460	
Grease Range	JS	NLGI grade 000-1	
	JSP	NLGI grade 000-0	
Filling Grease Fitting		Quick disconnect, zerk	
Filling Oil		Filler cap	
Low Level Switch		Available on all models	

Refer to the following documents:

+ *Data sheet #46911: SMDC Controller*

BIJUR DELIMON INTERNATIONAL

(919) 465 4448 LOCAL
 (800) 631 0168 TOLL-FREE
 (919) 465 0516 FAX

WWW.BIJURDELIMON.COM

1 Copley Parkway, Suite 104
 Morrisville, NC 27560

36999 • R1 09/17

How to Order

Name	Motor Voltage	Lubricant	Reservoir Capacity	Low Level Switch	Part #	
JS	PROG	24 VDC	Grease	1 liter	Yes	JSG2D2C
			Oil	1 liter	Yes	JS02D2C
				2 liter	No	35910
JSP	PDI	24 VDC	Grease	1 liter	Yes	JSPG2D2C
			Oil	2 liter	Yes	JSP04D2C
		12 VDC	Oil	2 liter	No	35911

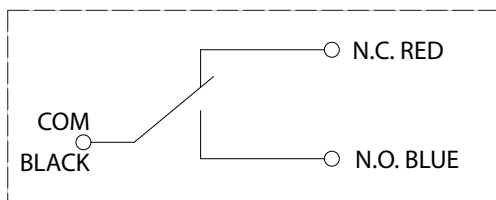
Wiring

Lubricator Motor Wires

Brown “+”

Blue “-”

Low Level Switch



JS Lubricator (Oil)

Notes Regarding Use

1. Before initial use, verify the pump's voltage and proper electrical connection.
2. Use clean oil or grease only.
3. Fill reservoir through the quick connector zerk only (grease).



Before installing or operating this product, please read this manual carefully. Failure to follow instructions can result in damage to the product and/or serious bodily injury.



Before performing service to product, always turn off and disconnect electrical power.



When connecting product, make sure that unit is securely and adequately grounded. Failure to ground properly may cause serious injury.

BIJUR DELIMON INTERNATIONAL

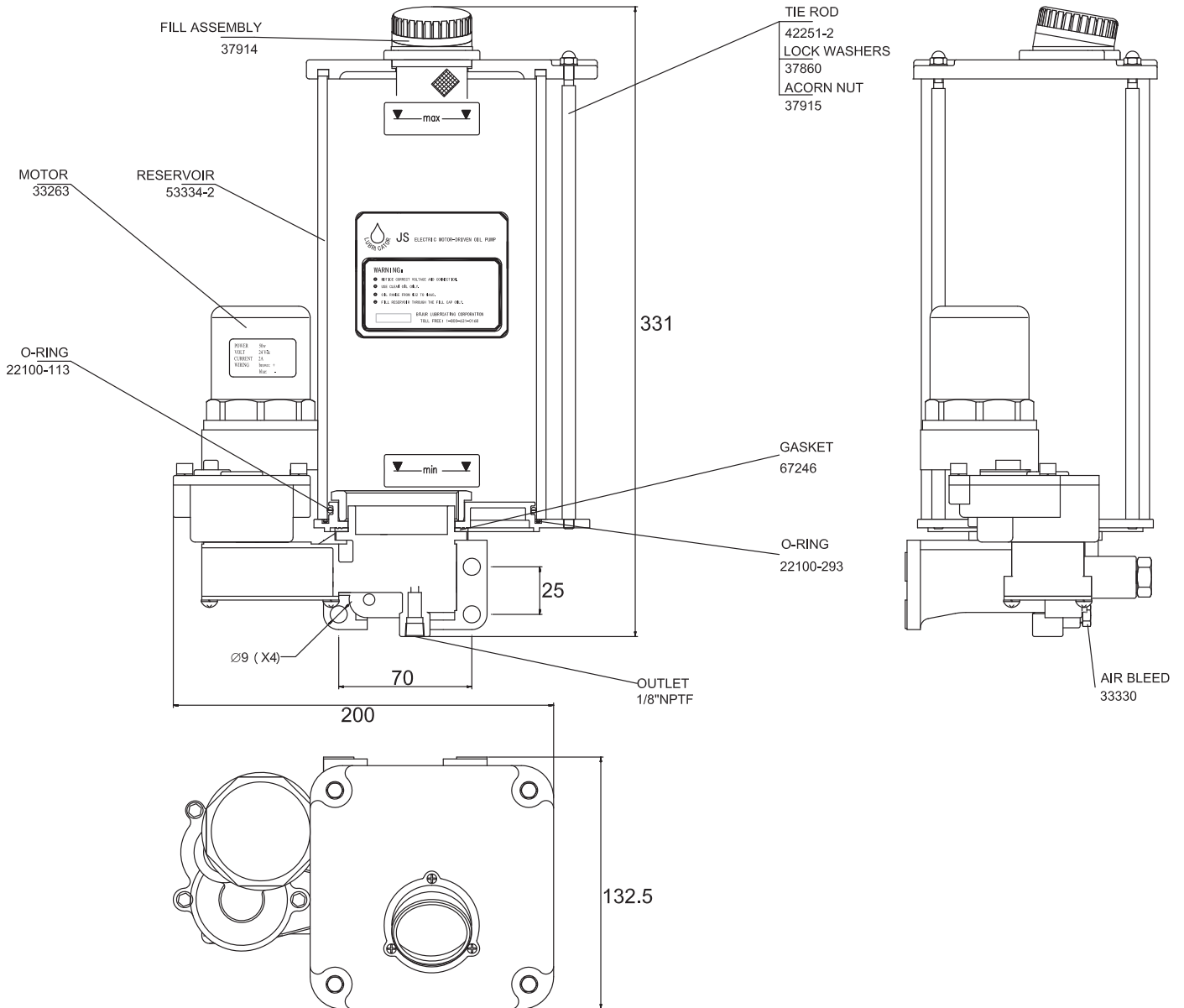
(919) 465 4448 LOCAL
(800) 631 0168 TOLL-FREE
(919) 465 0516 FAX

WWW.BIJURDELIMON.COM

1 Copley Parkway, Suite 104
Morrisville, NC 27560

Dimensional Schematics

JS Models



BIJUR DELIMON INTERNATIONAL

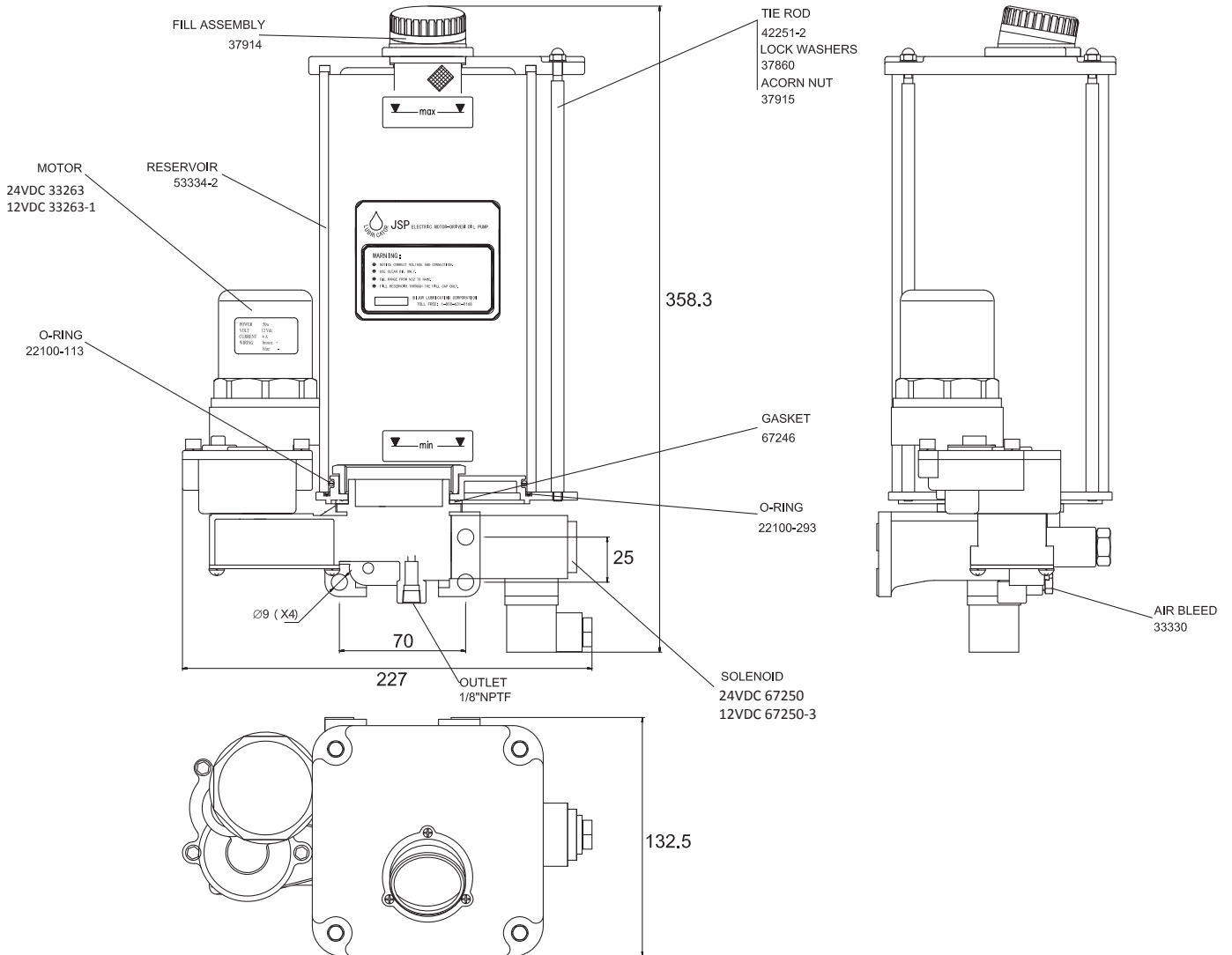
(919) 465 4448 LOCAL
(800) 631 0168 TOLL-FREE
(919) 465 0516 FAX

WWW.BIJURDELIMON.COM

1 Copley Parkway, Suite 104
Morrisville, NC 27560

Dimensional Schematics

JSP Models



BIJUR DELIMON INTERNATIONAL

(919) 465 4448 LOCAL
(800) 631 0168 TOLL-FREE
(919) 465 0516 FAX

WWW.BIJURDELIMON.COM

1 Copley Parkway, Suite 104
Morrisville, NC 27560