

Airmatic Automatic Lubricator

Pneumatic Operation for Oil



Key Features

- + Ideal for a broad range of applications
- + Operated with shop air
- + 2-position level switch for failsafe operation

Description

The Airmatic® lubricator is a simple economical pump with a broad range of output pressures and output volumes. It is designed to be operated with shop air. The output volume is easily adjusted to suit a wide variety of industrial centralized lubrication needs. The lubricator is supplied with a 12 liter reservoir.

Application

The Airmatic lubricator is for use with cyclic oil lubrication systems. The pump is used with Positive Displacement Injector (PDI) systems.

Operation

Oil output is related to piston travel and cycles per unit time. Stroke movement is preset to a fixed discharge, and supply air pressure governs the output delivery pressure. When used with positive displacement injectors, a built-in pressure relief device lets PDI's reset after discharge.

Normally, the pneumatically-operated Airmatic is used in conjunction with a 3/2 way electrical solenoid valve (optional) to control and vent shop air from the pump air inlet.

System Design

If the distribution system incorporates extensive use of flexible lines, a slightly larger discharge must be used to compensate for the resiliency of the flexible connections. Solve for the following "R" value and ADD this amount to the required pump discharge:

R (cc) = .030 x ft. of 5/16" O.D. Flexible Hose

R (cc) = .035 x ft. of 7/16" O.D. Flexible Hose

BIJUR DELIMON INTERNATIONAL

(919) 651 5457 LOCAL
(800) 631 0168 TOLL-FREE
(919) 465 0516 FAX

WWW.BIJURDELIMON.COM

808 Aviation Parkway, Suite 1400
Morrisville, NC 27560

Technical Specs & Part Numbers

Voltage	24VDC
Delivery Volume	2cc - 10cc / actuation cycle
Viscosity Range	1500-8000 SSU*
Normal Range Duty Cycle	Up to 30 cycles/minute maximum**
Operating Temperature Range	32°F to 120°F (0°C to 49°C)
Oil Outlet Connection	G1/8" BSPP Female
Low Level Switch	0.17 amp @ 110V
Solenoid Valve	0.12 amp @ 110V
Reservoir Capacity	12L
Lubricator Air Inlet	G1/4" BSPP (female)
Air/oil Pressure Ratio	1:4
Maximum Inlet Pressure	125 psi

* Viscosity range at operating temperature may be restricted by internal relief valve

** System parameters may affect this rate

Output pressure oil, psi	Inlet pressure air, psi
500	125
360	90
280	70 minimum

23690	Airmatic unit with quick disconnect, M12 4-pin connector, BSPP ports, 2-position level switch, 3L reservoir
23691	Airmatic unit with quick disconnect, M12 4-pin connector, BSPP ports, 2-position level switch, 6L reservoir
23678	Airmatic unit with quick disconnect, M12 4-pin connector, BSPP ports, 2-position level switch, 12L reservoir

BIJUR DELIMON INTERNATIONAL

(919) 651 5457 LOCAL
 (800) 631 0168 TOLL-FREE
 (919) 465 0516 FAX

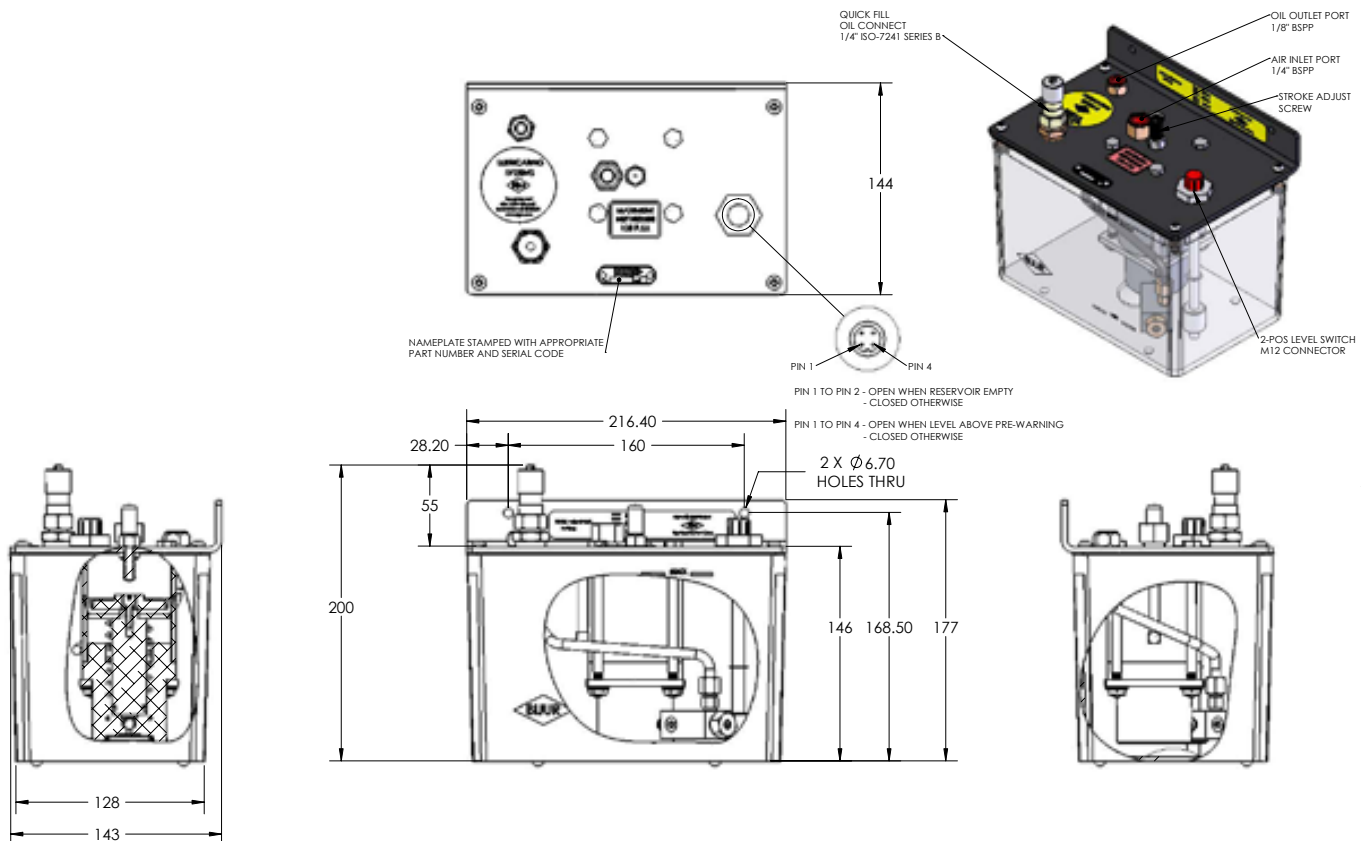
WWW.BIJURDELIMON.COM

808 Aviation Parkway, Suite 1400
 Morrisville, NC 27560

Dimensional schematics

Airmatic 3L

NOTE: All dimensions shown in millimeters.



BIJUR DELIMON INTERNATIONAL

(919) 651 5457 LOCAL
(800) 631 0168 TOLL-FREE
(919) 465 0516 FAX

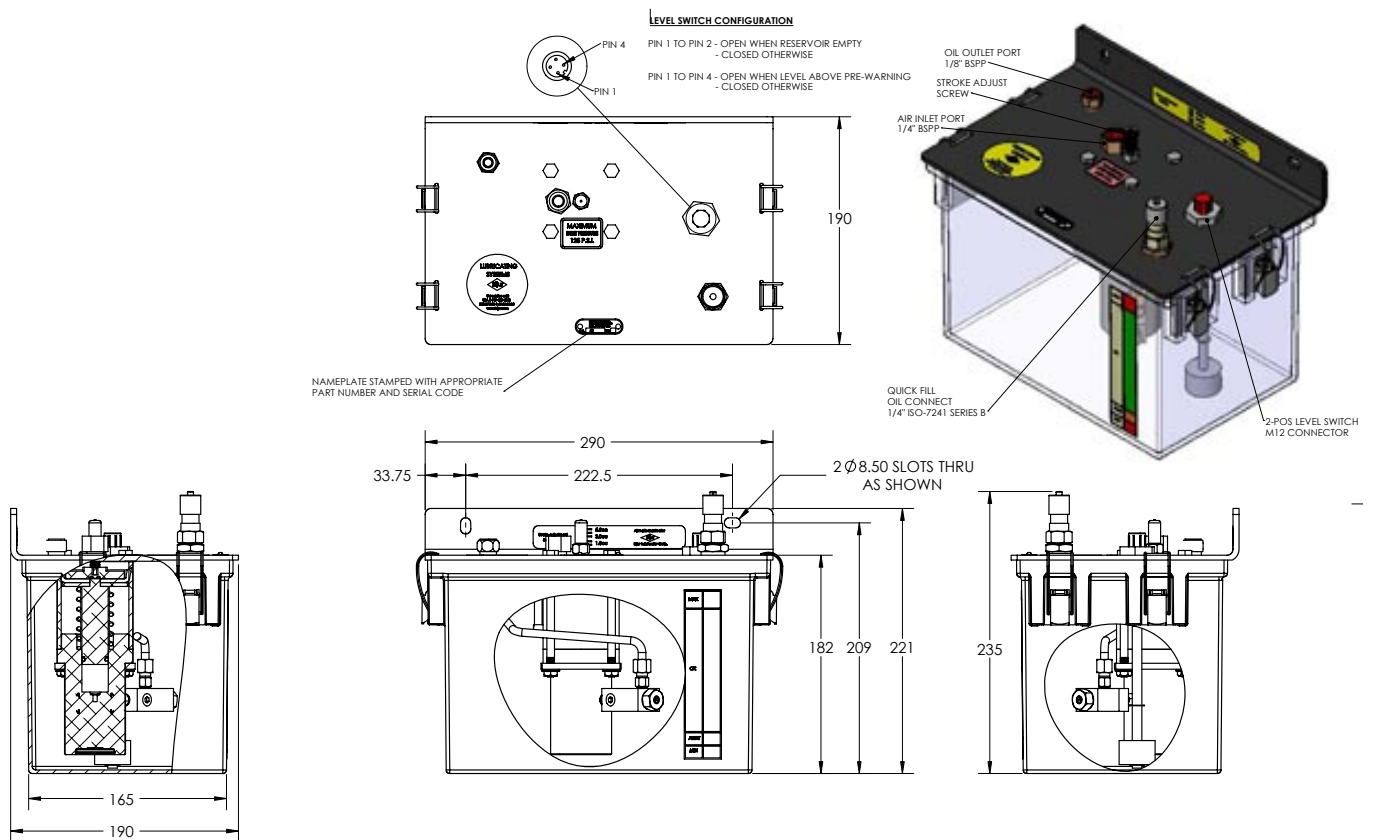
WWW.BIJURDELIMON.COM

808 Aviation Parkway, Suite 1400
Morrisville, NC 27560

Dimensional schematics

Airmatic 6L

NOTE: All dimensions shown in millimeters.



NOTES

- ALL DIMENSIONS IN MM.
- ALL BSP PORTS ARE ISO-1179-1 WITH 228-1 THREAD CAPABILITY.

BIJUR DELIMON INTERNATIONAL

(919) 651 5457 LOCAL
(800) 631 0168 TOLL-FREE
(919) 465 0516 FAX

WWW.BIJURDELIMON.COM

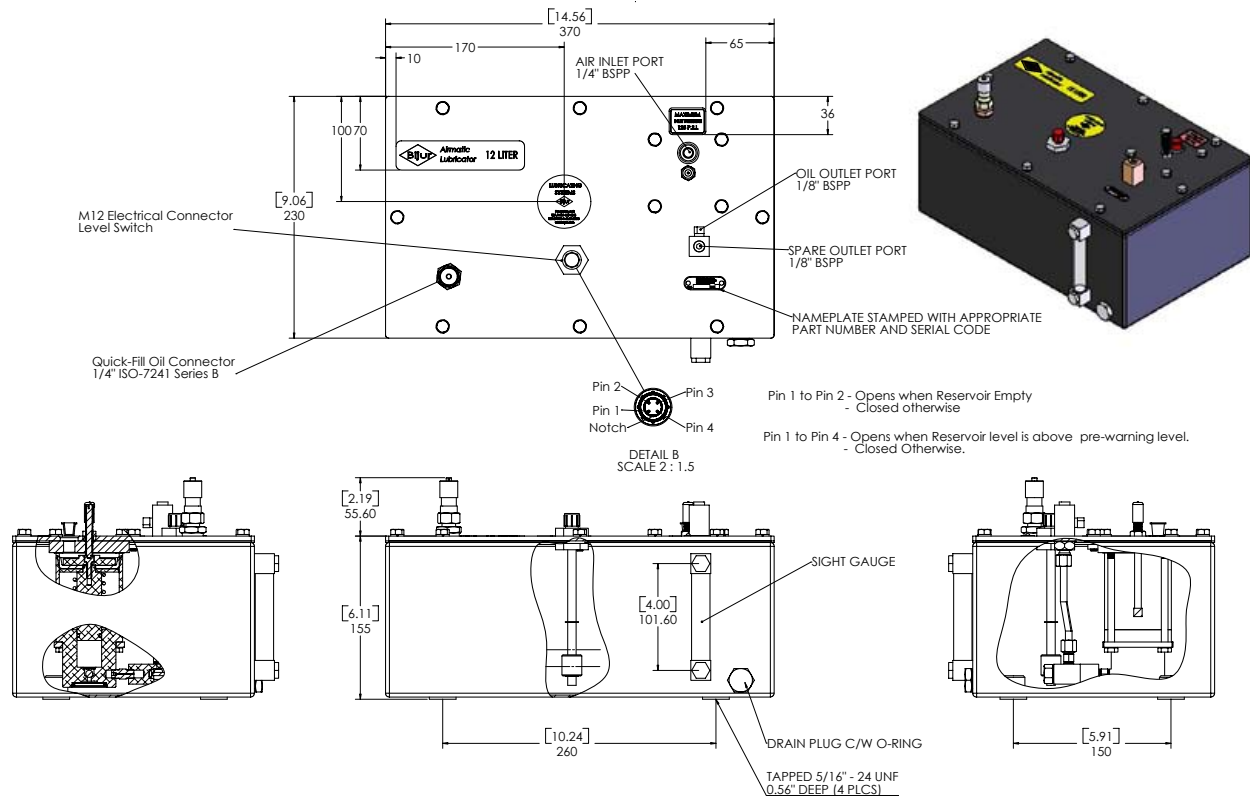
808 Aviation Parkway, Suite 1400
Morrisville, NC 27560

36385 • 03/07

Dimensional schematics

Airmatic 12L

NOTE: All dimensions shown in millimeters.



Dimensions enclosed by [] are in inches.
All other dimensions are in mm.
All BSPP ports are ISO-1179-1 with 228-1 Thread Capability.

BIJUR DELIMON INTERNATIONAL

(919) 651 5457 LOCAL
(800) 631 0168 TOLL-FREE
(919) 465 0516 FAX

WWW.BIJURDELIMON.COM

808 Aviation Parkway, Suite 1400
Morrisville, NC 27560