

G Lubricator

Mini, Automatic-continuous

General

The Mini G Lubricator is a continuous pump utilizing type “C” control units.

Operation

The Mini G Lubricator is a push type piston pump and is operated by an external eccentric cam. The cam depresses the piston, discharging the oil into the system. The spring returns the piston to position for the next stroke, allowing the pump to refill.

Technical Data

Operating Pressure	30-50 psi (2- 3 bar)
Discharge Volume	Discharge volume varies with speed and varies inversely with viscosity of oil and pressure. See table below.

Discharge Volume

Viscosity at Operating Temperature	Strokes per minute						
	50	250	500	1000	1500	2000	2500
150 SSU	1	6	14	24	31	37	41
600 SSU	1	6	12	19	24	25	---
1000 SSU	1	6	11	16	17	---	---
5000 SSU	1	4	7	8.5	---	---	---

* Discharge: cc per minute at 50 psi



ATTENTION

Use clean oil only

Installation

The G Lubricator is designed to be mounted by means of the 3/8-24 stud. It may be completely submerged within an oil sump or mounted externally. However, the length of the suction line (inlet tubing) should not exceed 4 inches.

Start Up Instructions

1. Connect to oil supply.
2. Operate lubricator until oil flows freely at all bearings.

How to Order

Name	Part #
G Lubricator (Mini)	B-8283

When ordering, specify by name and part number, e.g. G Lubricator (Mini), Part #B8283.

BIJUR DELIMON INTERNATIONAL

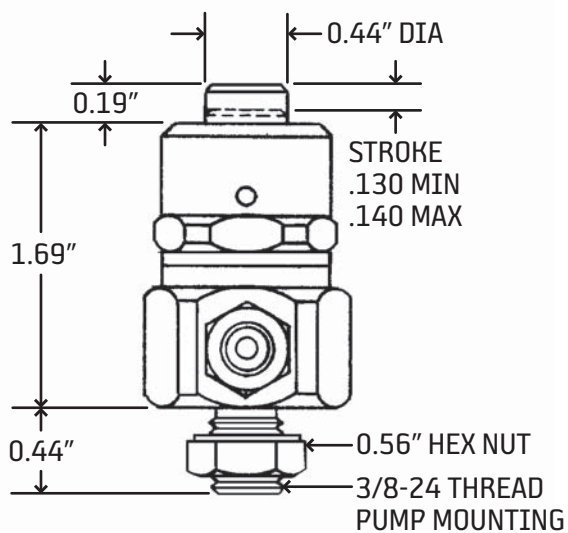
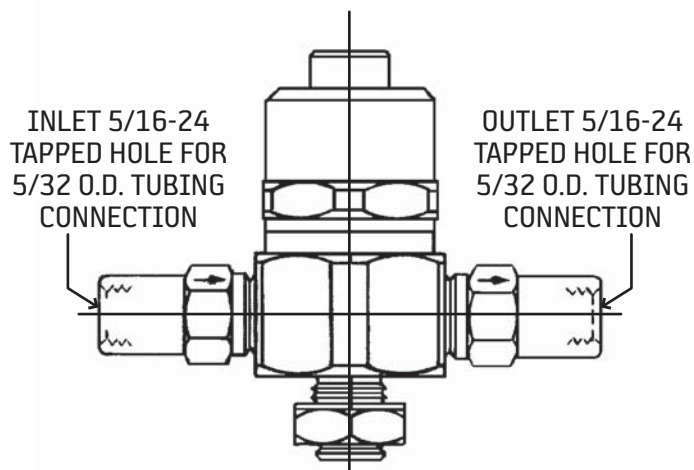
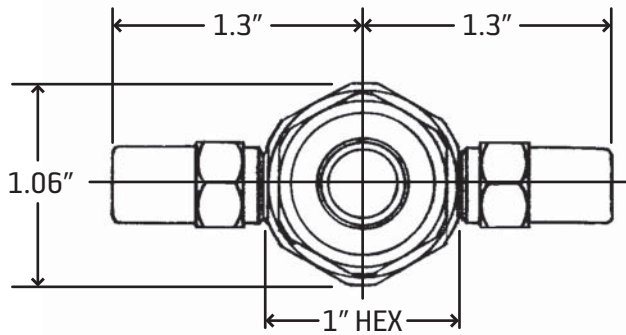
(919) 465 4448 LOCAL
 (800) 631 0168 TOLL-FREE
 (919) 465 0516 FAX

WWW.BIJURDELIMON.COM

2100 Gateway Centre Blvd., Suite 109
 Morrisville, NC 27560

Dimensional Schematics

Measurements shown in inches.



BIJUR DELIMON INTERNATIONAL

(919) 465 4448 LOCAL
(800) 631 0168 TOLL-FREE
(919) 465 0516 FAX

WWW.BIJURDELIMON.COM

2100 Gateway Centre Blvd., Suite 109
Morrisville, NC 27560