

# GXL Injectors & Manifolds

## Single Line Fluid Grease Systems

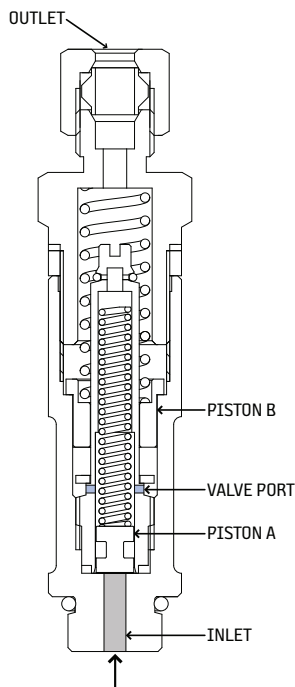
### General

GXL Injectors are positive displacement spring loaded devices designed for use in an automatic centralized lubrication system. These injectors deliver precise metered amounts of lubricant to bearings, bushings, pins and slides. They are normally mounted in remote manifolds located throughout the centralized system. GXL Injectors are made of top quality brass making them ideal components for use in harsh environments including mobile applications. GXL Manifolds are made of aluminum with a clear anodized finish.

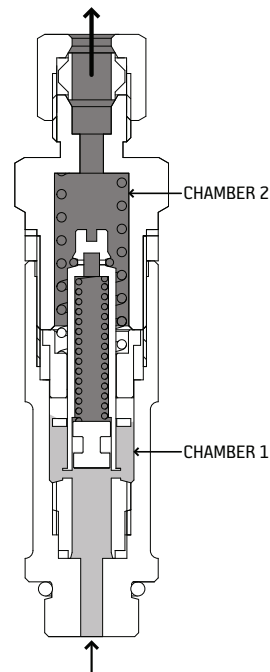
### Operation

When pressurized lubricant enters the injector inlet, **piston A** shifts until the valve port is exposed. Lubricant flows through the valve port and is directed behind **piston B** to **chamber 1**. This forces **piston B** towards the outlet, discharging a measured volume of lubricant from **chamber 2** to the lubrication point. When system pressure is relieved **piston A** shifts back towards the inlet, opening the valve port to **piston B**. **Piston B** shifts, transferring lubricant from **chamber 1** to **chamber 2**. The injector is now recharged, ready for the next lubrication cycle.

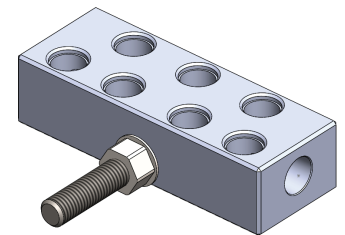
### Rest Mode



### Pressurized Mode



Injectors



Manifolds

Refer to the following datasheets:

- + Datasheet #35548:  
Aeroflow Lubricator
- + Datasheet #35962:  
Multiport Injector Lubricator

### Features

- + Brass injectors and for corrosive and harsh environments
- + Aluminum manifolds with anidized finish
- + Flexible system design allows easy modifications
- + Easy adjustability for meeting a wide range of output requirements
- + Economical components for a quick return on investment (ROI)
- + Interchangeable with other commonly used parallel injector systems

**BIJUR DELIMON INTERNATIONAL**

(919) 465 4448 LOCAL  
(800) 631 0168 TOLL-FREE  
(919) 465 0516 FAX

[WWW.BIJURDELIMON.COM](http://WWW.BIJURDELIMON.COM)

2250 Perimeter Park Dr., Suite 120  
Morrisville, NC 27560

## Technical Data

|                                  |                                                                                      |
|----------------------------------|--------------------------------------------------------------------------------------|
| Discharge/Cycle                  | 0.05cc - 0.40cc (see <i>How to Order</i> below)                                      |
| Grease                           | NLGI grade 000-0                                                                     |
| Lubricant Discharge Adjustment   | Output adjustment washers in 0.05cc increments (see <i>Adjustment Washers</i> below) |
| Minimum Operating Pressure       | 600 psi (41 bar)                                                                     |
| Maximum Operating Pressure       | 1450 psi (100 bar)                                                                   |
| Maximum Vent (Recharge Pressure) | 150 psi (10 bar)                                                                     |
| Maximum Operating Temperature    | 5°F to 150°F (-15°C to 70°C)                                                         |
| Manifold Injector Inlet          | 1/2"- 24 UNS                                                                         |
| Injector Outlet                  | 3/16" O.D. tube connection                                                           |
| Material                         | Brass/Aluminum                                                                       |

## How to Order

### Injectors

GXL

**Delivery**  
 05- 0.05cc  
 10- 0.10cc  
 15- 0.15cc  
 20- 0.20cc  
 25- 0.25cc  
 30- 0.30cc  
 35- 0.35cc  
 40- 0.40cc

### Manifolds

5543

**Number of Ports<sup>1</sup>**  
 5- 7 ports, single side  
 6- 14 ports, double side

#### ATTENTION

<sup>1</sup> To blank off unused ports use Part #53355: Manifold Outlet Plug

### Accessories

| Description                                     | Part #   |
|-------------------------------------------------|----------|
| Manifold outlet plug (1/2-24)                   | 53355    |
| O-ring (for unused base ports)                  | 22100-11 |
| Injector output adjustment washer (0.8mm thick) | 52848-1  |
| Injector output adjustment washer (3.2mm thick) | 52848-3  |
| Compression nut                                 | 52845    |
| Compression sleeve                              | 52846    |

For additional accessories, see *Brochure #35544: Mobile Accessories Catalog*.

### Adjustment Washers

| Output | # of 52848-1 | # of 52848-3 |
|--------|--------------|--------------|
| 0.05cc | 1            | 0            |
| 0.10cc | 2            | 0            |
| 0.15cc | 3            | 0            |
| 0.20cc | 0            | 1            |
| 0.25cc | 1            | 1            |
| 0.30cc | 2            | 1            |
| 0.35cc | 3            | 1            |
| 0.40cc | 0            | 2            |

#### BIJUR DELIMON INTERNATIONAL

(919) 465 4448 LOCAL  
 (800) 631 0168 TOLL-FREE  
 (919) 465 0516 FAX

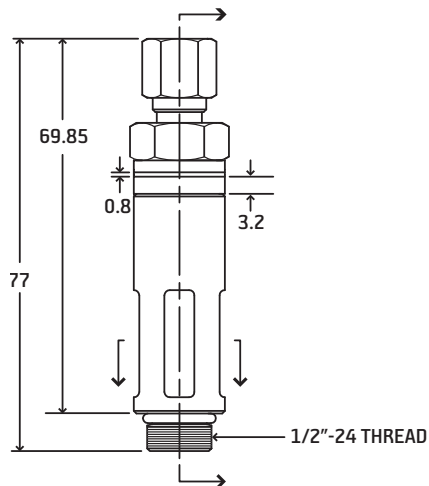
[WWW.BIJURDELIMON.COM](http://WWW.BIJURDELIMON.COM)

2250 Perimeter Park Dr., Suite 120  
 Morrisville, NC 27560

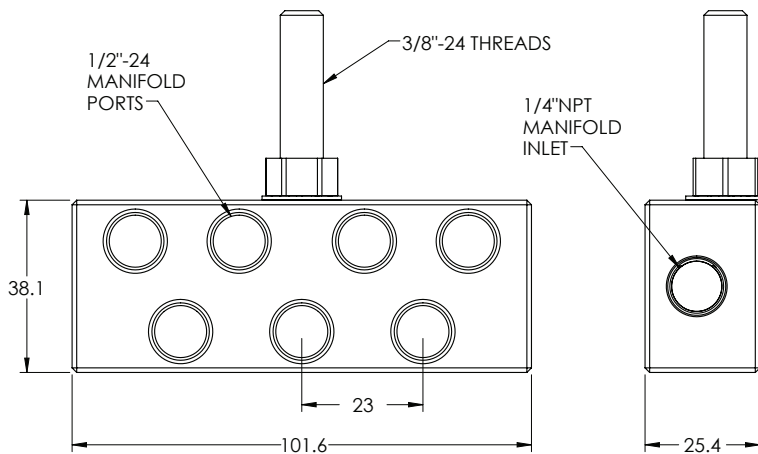
## Dimensional Schematics

Measurements shown in millimeters.

### Injector



### Manifolds



BIJUR DELIMON INTERNATIONAL

(919) 465 4448 LOCAL  
(800) 631 0168 TOLL-FREE  
(919) 465 0516 FAX

[WWW.BIJURDELIMON.COM](http://WWW.BIJURDELIMON.COM)

2250 Perimeter Park Dr., Suite 120  
Morrisville, NC 27560