

FLM Injectors

Single Line Grease Systems



General

FLM Injectors are positive displacement grease dispensing valves. Higher injector outputs and proprietary surface coating make these units well suited to satisfy lubrication needs of medium and large off-road machinery operating in harsh environments.

Higher discharge pressures make these injectors an ideal choice for heavily loaded pins and bushings especially where NLGI grade 1 and grade 2 greases are preferred.

Operation

1. Lubricant enters injector inlet under pump pressure.
2. The slide valve is lifted allowing lubricant flow into channel and to top of piston.
3. As incoming pressure moves piston down, a metered amount of lubricant is discharged out of the injector outlet.
4. When the lubrication cycle is completed and the pump stops, the system pressure is vented/relieved through vent valve. This allows piston spring to retract, forcing lubricant back down the channel and into cross-drilled port in slide valve, thus placing a metered amount of lubricant into the discharge chamber for the next cycle.

Minimum output is achieved by loosening lock nut and hand-tightening adjustment screw. Maximum output is reached at 10 turns from minimum setting at approximately 0.131cc (0.008 cu. in.) per turn.

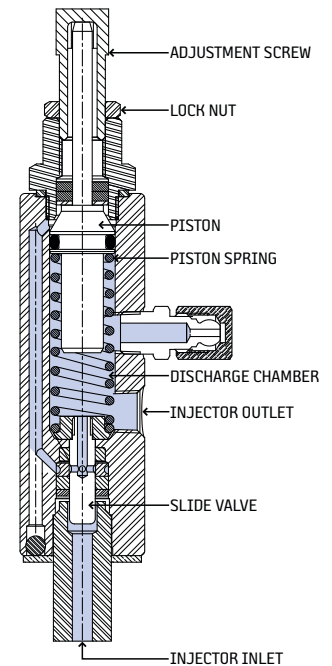
Features

- + Viton® O-rings standard to protect against high heat and synthetic lubricants
- + Interchangeable with other commonly used parallel injector systems
- + Proprietary surface coating for corrosion resistance
- + Vinyl cover caps standard
- + Adjustable grease output
- + Visual operating indicator pin
- + Includes feed line fill fitting

Technical Data

Discharge/Cycle	0.131 - 1.64cc (0.008 - 0.10 cu. in.)
Grease	NLGI grade 000-2
Minimum Operating Pressure	1850 psi (128 bar)
Maximum Operating Pressure	3600 psi (248 bar)
Recommended Operating Pressure	2500 psi (172 bar)
Maximum Vent (Recharge Pressure)	600 psi (41 bar)
Surface Protection	Proprietary, 1000-hour salt spray
Material	Steel w/surface protection
Inlet Thread	3/8" NPT(F)
Outlet Thread*	1/8" NPT(F)
Seals	Viton® O-rings

* Fittings used must not be over tightened. A potential interference with internal parts could occur.



BIJUR DELIMON INTERNATIONAL

(919) 465 4448 LOCAL
 (800) 631 0168 TOLL-FREE
 (919) 465 0516 FAX

WWW.BIJURDELIMON.COM

2100 Gateway Centre Blvd., Suite 109
 Morrisville, NC 27560

35480 • R7 04/12

How to Order*

FLM

Number of Outlets

- 1- Single injector assembly
- 2- Two injector assembly
- 3- Three injector assembly
- 4- Four injector assembly
- 5- Five injector assembly
- 6- Six injector assembly
- 8- Eight injector assembly

ATTENTION

* Number of injector discharge options must match number of outlets.

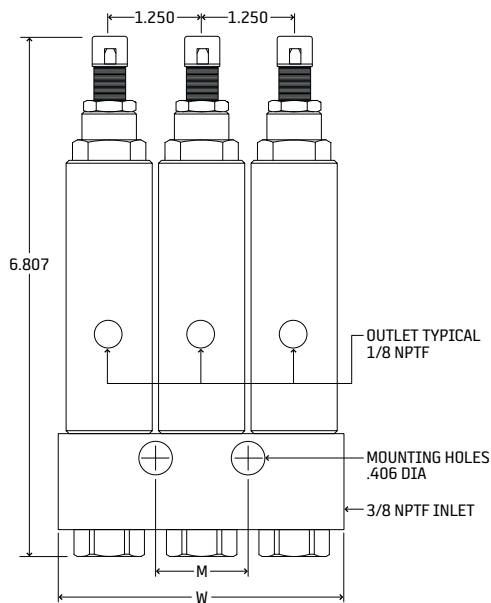
** Plug kit, part #37233

For accessories, see Brochure #35544: Mobile Accessories Catalog.

Dimensional Schematics

Measurements shown in inches.

FLM



Description	M	W
Single injector manifold	Single mounting hole	2.5"
Two injector manifold	Single mounting hole	3"
Three injector manifold	1.25"	4.25"
Four injector manifold	2.5"	5.5"
Five injector manifold	3.75"	6.75"
Six injector manifold	5"	8"
Eight injector manifold	7.5"	10.5"

BIJUR DELIMON INTERNATIONAL

(919) 465 4448 LOCAL
 (800) 631 0168 TOLL-FREE
 (919) 465 0516 FAX

WWW.BIJURDELIMON.COM

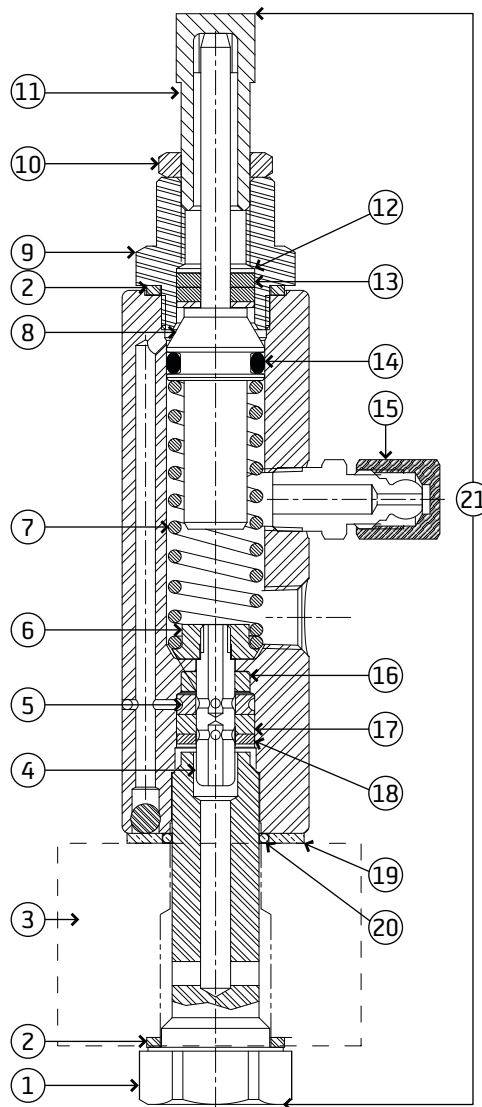
2100 Gateway Centre Blvd., Suite 109
 Morrisville, NC 27560

Service Parts

Item	Description	Part #
---	FLM repair kit	13864D
	Adapter bolt (1) ¹	---
	Brass washer (2)	---
	Poppet (4)	---
	Spacer (5)	---
	Flange (6)	---
	Spring (7)	---
	Piston assembly (8)	---
	Steel washer (12)	---
	Viton packing (13)	---
	Viton O-ring (14)	---
	Viton poppet seal (16)	---
	Viton packing (17)	---
	Steel washer (18)	---
	Washer (19)	---
	O-ring (20)	---
---	FLM soft parts kit	13862
	Viton packing (13)	---
	Viton O-ring (14)	---
	Viton poppet seal (16)	---
	Steel washer (18)	---
3	Manifold	See Replacement Manifolds chart
9 ²	Housing	HSG-13735A
10	Jam nut	NUT-13738A
11	Adjusting screw	SCR-13739A
15	Bleed fitting assembly	FIT-13859A
21	Injector (replacement)	13843D

¹ Recommended torque to 45-50 ft-lb

² Recommended torque to 25-30 ft-lb



Replacement Manifolds & Accessories

Description	Part #
Single outlet manifold	13281-1
Two outlet manifold	13282-1
Three outlet manifold	13283-1
Four outlet manifold	13284-1
Five outlet manifold	13285-1
Six outlet manifold	13286-1
Eight outlet manifold	13288-1
Plug kit	37233
Crossport tube assembly (for combining output of 2 injectors)	13899

BIJUR DELIMON INTERNATIONAL

(919) 465 4448 LOCAL
 (800) 631 0168 TOLL-FREE
 (919) 465 0516 FAX

WWW.BIJURDELIMON.COM

2100 Gateway Centre Blvd., Suite 109
 Morrisville, NC 27560