

FL1 Injector

Grease

General

FL1 injectors are positive displacement grease dispensing valves. They can be used in lubrication circuits with our FL-32, FL-33 and FL-11 series injectors. Higher injector outputs make these units well suited to satisfy lubrication needs of medium and large machines. In addition, higher output pressures make these injectors ideally suited for equipment operating in harsh environments. Recommend NLGI grade 2 grease or lighter.

Features

- + Viton O-rings standard to protect against high heat and synthetic lubricants.
- + Form, fit and functional interchangeable with major competitive brand.
- + All injectors are shipped with vinyl cover caps standard.
- + Adjustable grease output.
- + Visual operating indicator pin.
- + Includes feed line fill fitting.



Technical Data

Minimum Operating Pressure	1850 psi (128 bar)
Maximum Operating Pressure	3500 psi (241 bar)
Maximum Vent/ Relief Pressure	600 psi (41 bar)
Lubricant Output	0.13-1.60cc (0.008-0.10 cu. in.)
Surface Protection	Zinc with yellow chromate / 316 Stainless Steel
Mounting	Any position
Lubricants	Up to NLGI grade 2
Seals	Viton O-rings
Inlet Thread	3/8" NPT
Outlet Thread*	1/8" NPT
Temperature	350°F (176°C) max., -10°F (-23°C) min.

** Fittings used must not be over tightened. A potential interference with internal parts could occur.*

How to Order

Name	# of Injectors	Standard Carbon Steel		Stainless Steel (316)	
		Injector Part #	Manifold Only	Injector Part #	Manifold Only
FL-1 Injector	1	FL11	13281	FL11-SS	13281-SS
	2	FL12	13282	FL12-SS	13282-SS
	3	FL13	13283	FL13-SS	13283-SS
	4	FL14	13284	FL14-SS	13284-SS
	5	FL15	13285	FL15-SS	13285-SS
	6	FL16	13286	FL16-SS	13286-SS
	1 (Direct mount)	13844	---	---	---
	1 (Replacement injector)	13843	---	13843-SS	---

When ordering, specify by name, description and part number, e.g. FL1 Injector, 4-way injector, Carbon Steel, part #FL14.

BIJUR DELIMON INTERNATIONAL

(919) 465 4448 LOCAL
 (800) 631 0168 TOLL-FREE
 (919) 465 0516 FAX

WWW.BIJURDELIMON.COM

2100 Gateway Centre Blvd., Suite 109
 Morrisville, NC 27560

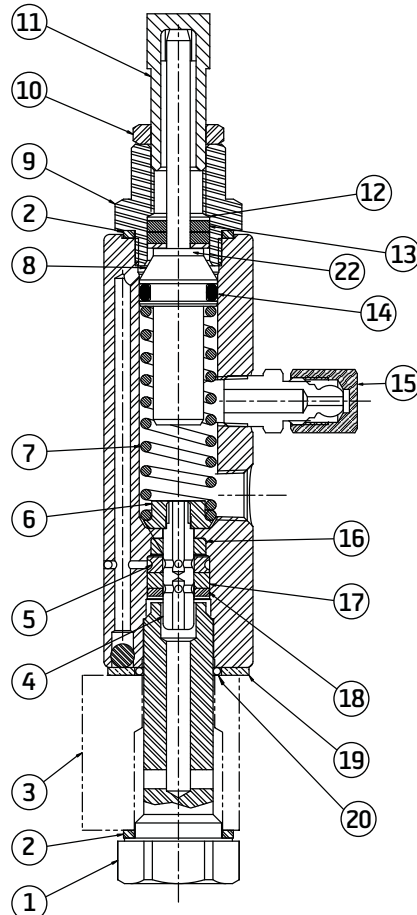
34254 • R12 09/12

Service Parts

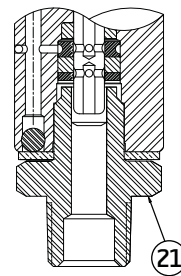
Item	Description	Standard Steel Part #	Stainless Steel Part #
1-22	FL-1 repair kit	13864	37518
	Adapter bolt (1) ²	---	---
	Brass washer (2)	---	---
	Poppet (4)	---	---
	Spacer (5)	---	---
	Flange (6)	---	---
	Spring (7)	---	---
	Piston assembly (8)	---	---
	Steel washer (12)	---	---
	Packing, viton (13)	---	---
	O-ring, viton (14)	---	---
	Poppet seal, viton (16)	---	---
	Packing, viton (17)	---	---
	Steel washer (18)	---	---
	Washer (19)	---	---
	O-ring (20)	---	---
	Washer (22)	---	---
13-18	FL-1 soft parts kit	13862	
	Packing, viton (13)	---	---
	O-ring, viton (14)	---	---
	Poppet seal, viton (16)	---	---
	Steel washer (18)	---	---
3	Manifold	See How to Order	
9 ¹	Housing	HSG-13735A	HSG-13735A-SS
10	Jam nut	NUT-13738A	NUT-13738A-SS
11	Adjusting screw	SCR-13739A	SCR-13739A-SS
15	Bleed fitting assembly	FIT-13859A	FIT-13859A-SS
21 ²	Adapter (3/8" NPT)	ADA-13841A	---

¹ Torque to 25-30 ft·lb

² Torque to 45-50 ft·lb



MANIFOLD MOUNTED
MODEL 13843



MANIFOLD MOUNTED
MODEL 13844 (3/8" NPT)

ATTENTION

Manifold Plug Kit available:

P.N. 37233

BIJUR DELIMON INTERNATIONAL

(919) 465 4448 LOCAL
(800) 631 0168 TOLL-FREE
(919) 465 0516 FAX

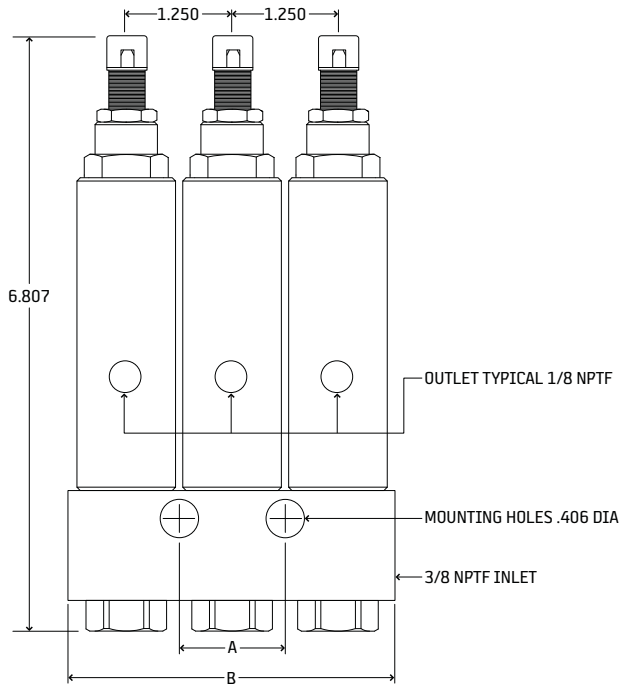
WWW.BIJURDELIMON.COM

2100 Gateway Centre Blvd., Suite 109
Morrisville, NC 27560

34254 • R12 09/12

Dimensional Schematics

Measurements shown in inches.



Part #	A	B
FL11	Single hole mounting	2.5"
FL12	Single hole mounting	3"
FL13	1.25"	4.25"
FL14	2.5"	5.5"
FL15	3.75"	6.75"
FL16	5"	8"
13844	---	---
13843	---	---

BIJUR DELIMON INTERNATIONAL

(919) 465 4448 LOCAL
 (800) 631 0168 TOLL-FREE
 (919) 465 0516 FAX

WWW.BIJURDELIMON.COM

2100 Gateway Centre Blvd., Suite 109
 Morrisville, NC 27560