

FL1 Injector

Grease

General

FL1 injectors are positive displacement grease dispensing valves. They can be used in lubrication circuits with our FL-32, FL-33 and FL-11 series injectors. Higher injector outputs make these units well suited to satisfy lubrication needs of medium and large machines. In addition, higher output pressures make these injectors ideally suited for equipment operating in harsh environments. Recommend NLGI grade 2 grease or lighter.

Features

- + Viton O-rings standard to protect against high heat and synthetic lubricants.
- + Form, fit and functional interchangeable with major competitive brand.
- + All injectors are shipped with vinyl cover caps standard.
- + Adjustable grease output.
- + Visual operating indicator pin.
- + Includes feed line fill fitting.



Technical Data

Minimum Operating Pressure	1850 psi (128 bar)
Maximum Operating Pressure	3500 psi (241 bar)
Maximum Vent/ Relief Pressure	600 psi (41 bar)
Lubricant Output	0.13-1.60cc (0.008-0.10 cu. in.)
Surface Protection	Zinc with yellow chromate
Mounting	Any position
Lubricants	Up to NLGI grade 2
Seals	Viton O-rings
Inlet Thread	3/8" NPT
Outlet Thread*	1/8" NPT
Temperature	350°F (176°C) max., -10°F (-23°C) min.

* Fittings used must not be over tightened. A potential interference with internal parts could occur.

How to Order

Name	# of Injectors	Part #		
		Carbon Steel	Stainless Steel (316)	Manifold Only
FL-1 Injector	1	FL11	FL11-SS	13281
	2	FL12	FL12-SS	13282
	3	FL13	FL13-SS	13283
	4	FL14	FL14-SS	13284
	5	FL15	FL15-SS	13285
	6	FL16	FL16-SS	13286
	1 (Direct mount)	13844	---	---
	1 (Replacement injector)	13843	13843-SS	---

When ordering, specify by name, description and part number, e.g. FL1 Injector, 4-way injector, Carbon Steel, part #FL14.

BIJUR DELIMON INTERNATIONAL

(919) 465 4448 LOCAL
 (800) 631 0168 TOLL-FREE
 (919) 465 0516 FAX

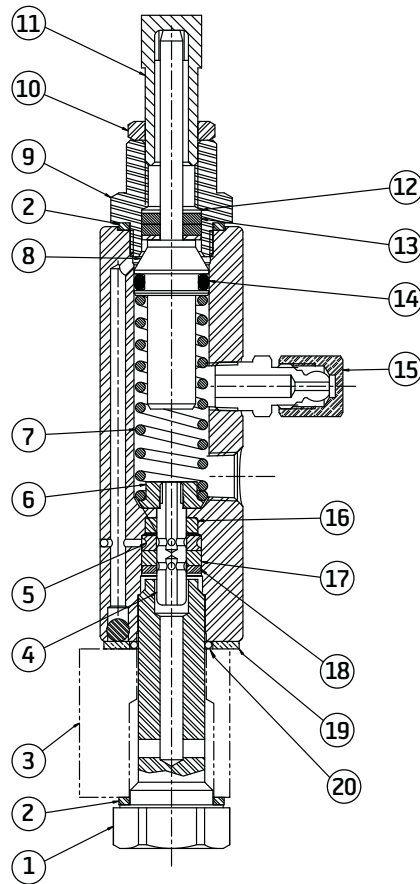
WWW.BIJURDELIMON.COM

2100 Gateway Centre Blvd., Suite 109
 Morrisville, NC 27560

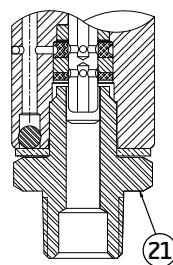
Service Parts

Item	Description	Part #
1-20	FL-1 repair kit	13864
	Adapter bolt (1) ²	---
	Brass washer (2)	---
	Poppet (4)	---
	Spacer (5)	---
	Flange (6)	---
	Spring (7)	---
	Piston assembly (8)	---
	Steel washer (12)	---
	Packing, viton (13)	---
	O-ring, viton (14)	---
	Poppet seal, viton (16)	---
	Packing, viton (17)	---
	Steel washer (18)	---
	Washer (19)	---
	O-ring (20)	---
13-18	FL-1 soft parts kit	13862
	Packing, viton (13)	---
	O-ring, viton (14)	---
	Poppet seal, viton (16)	---
	Steel washer (18)	---
3	Manifold	See How to Order
9 ¹	Housing	HSG-13735A
10	Jam nut	NUT-13738A
11	Adjusting screw	SCR-13739A
15	Bleed fitting assembly	FIT-13859A
21 ²	Adapter (3/8" NPT)	ADA-13841A

¹ Torque to 25-30 ft·lb
² Torque to 45-50 ft·lb



MANIFOLD MOUNTED
MODEL 13843



MANIFOLD MOUNTED
MODEL 13844 (3/8" NPT)

BIJUR DELIMON INTERNATIONAL

(919) 465 4448 LOCAL
(800) 631 0168 TOLL-FREE
(919) 465 0516 FAX

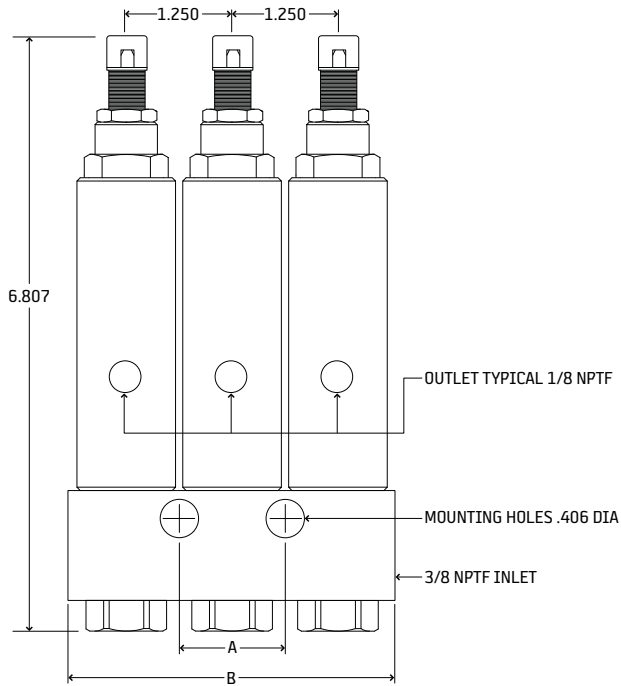
WWW.BIJURDELIMON.COM

2100 Gateway Centre Blvd., Suite 109
Morrisville, NC 27560

34254 • R11 09/11

Dimensional Schematics

Measurements shown in inches.



Part #	A	B
FL11	Single hole mounting	2.5"
FL12	Single hole mounting	3"
FL13	1.25"	4.25"
FL14	2.5"	5.5"
FL15	3.75"	6.75"
FL16	5"	8"
13844	---	---
13843	---	---

BIJUR DELIMON INTERNATIONAL

(919) 465 4448 LOCAL
 (800) 631 0168 TOLL-FREE
 (919) 465 0516 FAX

WWW.BIJURDELIMON.COM

2100 Gateway Centre Blvd., Suite 109
 Morrisville, NC 27560