

An IMCI Company

BIJUR DELIMON[®]
INTERNATIONAL



Lubrication assistance

Semi-automatic
centralized lubrication systems

Grease guns - Divider - Accessories

About us

The BIJUR DELIMON International Group includes brands known throughout the world: BIJUR, DELIMON, DENCO LUBRICATION, FARVAL and LUBE SITE.

Since its foundation over 140 years ago, BIJUR DELIMON International has become one of the leading manufacturers of central lubrication systems in the world, for both industrial requirements and special applications. Today we have facilities in nine main markets throughout the world for manufacturing, development, sales and logistics, with over 1000 highly-qualified and motivated employees, ready to provide solutions to your lubrication requirements. Our customers are engaged in international business, so our provision of service on 6 continents, coupled with our technical competence in the development of customer-specific solutions in the fields of commercial vehicle and construction site machinery, goods and passenger transport, rail lubrication systems, factory and mining equipment is of vital importance to them.

The development of innovative concepts using the latest 3D CAD/CAM technology, high-performance machining centers and continuous on-going training of our highly qualified employees, ensure that we maintain the capability to provide our customers with the best possible solution concepts for their specific applications.

The BIJUR DELIMON product portfolio comprises innovative total solutions in the fields of centralized lubrication systems and cooling, together with all necessary components such as pumps, distributors, switchgear and controllers, special lubrication equipment and accessories. BIJUR DELIMON products guarantee you the best possibility of reliability coupled with precise lubrication.

For smooth movement

Efficiency, speed and sustainability are the key words for profitable production. Accordingly production machines and plant must satisfy ever higher standards, become ever larger and cope with ever quicker speeds.

It doesn't matter if the lubricant is oil, low-viscosity grease or heavy grease. It pays to provide all machine tools with regular lubrication. More than 50% of bearing and linear guide failures are down to lack of lubrication or ingress of dirt.

Only continuous and precisely metered lubrication can ensure that your machine tool does not fail unexpectedly due to lack of lubrication. DELIMON offers you all the necessary systems and products for the machine tool sector, to avoid unplanned machine downtime and interruptions in production. With more than 140 years experience of central lubrication systems, our competent and experienced employees are available in-house.

The advantages to you of an automatic central lubrication system

- Minimisation of unplanned machine downtime
- Reduction in maintenance costs
- Precise, accurate supply of clean lubricant in the right place at the right time
- Reduction in grease consumption
- All lubrication points are served – no missed points
- Extension of maintenance intervals
- Increased safety at work



DELIMON[®]

denco
Lubrication

FARVAL[®]

 **LubeSite**[®]
SYSTEMS, INC.

Lubrication, lubrication, lubrication ...

- How many lubrication points does your machine have?
- Can you reach all lubrication points safely to lubricate them manually?
- How much effort is necessary to make the lubrication points accessible?
- How long do you have to stop the machine for the lubrication task?

*You can see it is worth looking
at ways to make manual lubrication
more efficient!*

Manual lubrication can be so easy!

- With the benefit of robustly designed dividers, optical monitoring devices and a manual or battery driven grease gun.
- Keep the machine running while you lubricate it!
- Save your money!

**Configure your own personal
money saving package....**



Configure your own personal money saving package!

Grease gun and cartridge	Number of lubrication points	Material of the lubrication piping (3 m per lubrication point)	Revision	Lubrication point connection Fitting set (per lubrication point)		Connection type for divider outlet and lubrication point connection	Accessories grease cartridge				
				Quantity	Description						
AL Battery driven grease gun Lube Shuttle®	02	K Plastic piping 6 x 1.5 mm	A	00	without	SV Quick connector	000	without / Pull-Off-System			
	03			G1	M6x1 straight		L02	2 x Empty cartridge *			
	04			G2	M8x1 straight		L05	5 x Empty cartridge *			
	05			G3	M10x1 straight		L10	10 x Empty cartridge *			
AP Battery driven grease gun Pull-OUT	06			H High pressure hose NW 4 mm including 2 screw sleeves and 2 straight pipe sockets	A		G4	G1/8 straight	SR Compression type fitting	M02	2 x MULTI basic 2M *
	07						G5	G1/4 straight		M05	5 x MULTI basic 2M *
	08						W1	M6x1 angled		M10	10 x MULTI basic 2M *
	09						W2	M8x1 angled		E02	2 x MULTI plus EP-2M *
	10						W3	M10x1 angled		E05	5 x MULTI plus EP-2M *
HL Manual grease gun Lube Shuttle®	11						H High pressure hose NW 4 mm including 2 screw sleeves and 2 straight pipe sockets	A		W4	G1/8 angled
	12	W5	G1/4 angled			G02				2 x GRAPHITE 2M GR *	
	13	D1	M6x1 swiveling **			G05				5 x GRAPHITE 2M GR *	
	14	D2	M8x1 swiveling **			G10				10 x GRAPHITE 2M GR *	
	15	D3	M10x1 swiveling			H02				2 x HIGH TEMP EP-2L HT *	
HP Manual grease gun Pull-OUT	16	H High pressure hose NW 4 mm including 2 screw sleeves and 2 straight pipe sockets	A	D4	G1/8 swiveling	SR Compression type fitting			H05	5 x HIGH TEMP EP-2L HT *	
	17			D5	G1/4 swiveling **				H10	10 x HIGH TEMP EP-2L HT *	
	18								P02	2 x PROTECT EP-2L WR *	
	19								P05	5 x PROTECT EP-2L WR *	
	20								P10	10 x PROTECT EP-2L WR *	

** just as quick connector

* System Lube Shuttle®

AL
10
H
A
3G2
4G3
3D4
SR
L10

Order of example

ORDER CODE

AL 10 H A 3G2 4G3 3D4 SR L10

Grease gun & cartridge system

Battery driven grease gun Lube Shuttle®

Number of lubrication points

10 lubrication points

Material of the lubrication piping

Hydraulic hose nominal diameter 4 mm

Revision

Status A

Lubrication point connection

3x M8 x 1 straight / 4x M10x1 straight / 3x G1/8 swiveling

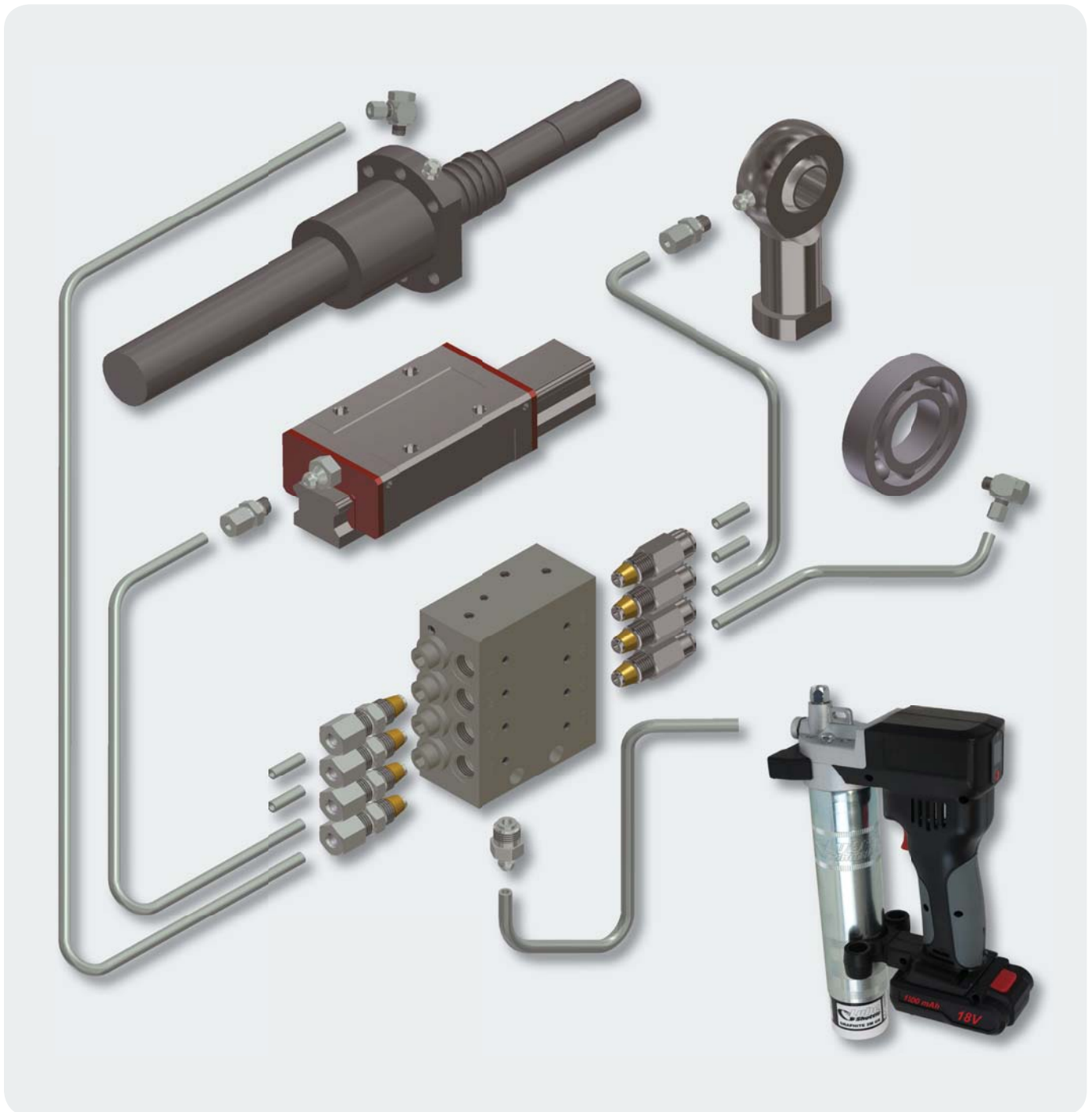
Connection type

Compression type fitting

Accessories grease cartridge

10x empty cartridges*

System layout



Cartridge system

Lube Shuttle®: The cartridge is equipped with a thread that just needs to be screwed into the grease gun support.

No air venting is necessary and the maximum amount of grease in the cartridge is dispensed. Empty cartridges can be refilled by the refill adaptor. You save money and it is environmental friendly.

Pull-out: The grease gun can be refilled manually by using a spatula or with disposable cartridges. Air pockets can be vented from the grease gun.

To change the type of grease used it is necessary to thoroughly clean the grease gun first.

Technical Data

Manual grease gun



Manual grease gun Pull-OUT-system



Manual grease gun Lube-Shuttle®-system

- Robust plastic case to store the grease gun and accessories.
- Rigid tube with swivel nut for attaching easily and safely to the grease gun with grease nipple DIN 71412.
- Safety rubber hose with 4-jaw hydraulic coupler – burst pressure: 1650 bar.
- Rigid tube with slide-on connector SK16 for flat grease nipple DIN 3404.
- Rigid tube with drive shaft.
- All adaptors with snap-on coupling.

Item numbers:

Manual grease gun Pull-OUT-System: 22911P015

Manual grease gun Lube-Shuttle®-System: 22911P014

Battery driven grease gun



Battery driven grease gun Pull-OUT-system



Battery driven grease gun Lube-Shuttle®-system

- Robust plastic case to store the grease gun, accessories and charger. The case offers space for a second battery and one grease cartridge.
- Li-Ion-battery 18 V with 1.500 mAh.
- Electronic fast charger with overpower protection – normal charging time 0.5 h.
- High pressure safety rubber hose 750 mm with 4-jaw- hydraulic coupler – burst pressure: 1650 bar.

Item numbers:

Battery driven grease gun Pull-OUT-system: 22911P013

Battery driven grease gun Lube-Shuttle®-system: 22911P012

Spare battery 18 V Li-Ion: 22911ETA0007

Carrying strap: 22911ETA0008



Spare battery and carrying strap

Technical Data

Progressive block divider PVB



- Progressive divider block design
- 2 to 20 outlets with 6 mm pipe connection at the divider outlet
- Steel with zinc-nickel-coating
- for grease and oil
- 0.17 cm³ metering volume per outlet
- High grade of metering accuracy
- Operating pressure: maximal 160 bar
- Flexible to configurate
- with engraved divider item number
- Motion indicator
- Electrical monitoring (optional)

Item numbers:

Number of lubrication points	Metering volumes in cm ³	Item number for divider with compression type fittings	Item number for divider with quick connection fittings
02	2 x 0.51	PVB06A02FFA00	PVB06A02FFA60
03	3 x 0.34	PVB06A02BBB00	PVB06A02BBB60
04	2 x 0.34 / 2 x 0.17	PVB06A02BBA00	PVB06A02BBA60
05	4 x 0.17 / 1 x 0.34	PVB06A02BAA00	PVB06A02BAA61
06	6 x 0.17	PVB06A02AAA00	PVB06A02AAA61
07	6 x 0.17 / 1 x 0.34	PVB08A02BAAA00	PVB08A02BAAA61
08	8 x 0.17	PVB08A02AAAA00	PVB08A02AAAA61
09	8 x 0.17 / 1 x 0.34	PVB10A02BAAA00	PVB10A02BAAA62
10	10 x 0.17	PVB10A02AAAA00	PVB10A02AAAA62
11	10 x 0.17 / 1 x 0.34	PVB12A02BAAA00	PVB12A02BAAA62
12	12 x 0.17	PVB12A02AAAA00	PVB12A02AAAA62
13	12 x 0.17 / 1 x 0.34	PVB14A02BAAA00	PVB14A02BAAA63
14	14 x 0.17	PVB14A02AAAA00	PVB14A02AAAA63
15	14 x 0.17 / 1 x 0.34	PVB16A02BAAA00	PVB16A02BAAA63
16	16 x 0.17	PVB16A02AAAA00	PVB16A02AAAA63
17	16 x 0.17 / 1 x 0.34	PVB18A02BAAA00	PVB18A02BAAA64
18	18 x 0.17	PVB18A02AAAA00	PVB18A02AAAA64
19	18 x 0.17 / 1 x 0.34	PVB20A02BAAA00	PVB20A02BAAA64
20	20 x 0.17	PVB20A02AAAA00	PVB20A02AAAA64

Recommendation:

For each divider we recommend ordering the connection assembly group 69112L037 consisting of:

- + 1x Hydraulic grease nipple DIN 71412 (736831514)
- + 1x Button-head grease nipple DIN 3404 - head diameter 16 mm (736831153)
- + 2x Cylinder head screw DIN 7984 - M6x40 - 8.8 - ZNNI5 (741021184)
- + 2x Washer ISO 7089 - 6 - 200 HV - ZNNI8 (741851064)
- + 2x Chopper disc DIN 6797 - J 6.4 - A4 (741850193)

Optional:

- + Sensor PNP : 669251311
- + Sensor NPN : 66925S003
- + Cable 10 m : 769282833
- + Cable 5 m : 769282823
- + Cable 2 m : 769282813

If you require different lubrication amounts per lubrication point please contact us. We will be pleased to offer a suitable solution.

Dividers will always be delivered without hydraulic grease nipples 73736831514 and without button-head grease nipple 736831153. Please order separately if required.


Technical Data

Accessories

Fittings for connection to the lubrication points

Illustration	Thread	Design	System	Item number	Description
	M6x1	straight	Compression type fitting	734421203	GE-fitting GE 06 LLM6x1KEG CF
	M8x1	straight	Compression type fitting	734421143	GE-fitting GE 06 LLM8x1KEG CF
	M10x1	straight	Compression type fitting	734421164	GE-fitting GE 06 LLM10x1KEG CF
	G1/8	straight	Compression type fitting	734420734	GE-fitting GE 06 LR1/8KEG CF
	G1/4	straight	Compression type fitting	73442V251	GE-fitting GE 06 LR1/4KEG CF
	M6x1	angled	Compression type fitting	734451193	WE-fitting WE 06 LLM6x1 CF
	M8x1	angled	Compression type fitting	734451163	WE-fitting WE 06 LLM8x1 CF
	M10x1	angled	Compression type fitting	734431293	WE-fitting WE 06 LM10x1 CF
	G1/8	angled	Compression type fitting	734431214	WE-fitting WE 06 LR1/8 CF
	G1/4	angled	Compression type fitting	734431823	WE-fitting WE 06 LR1/4 CF
	M10x1	swiveling	Compression type fitting	734427023	S-fitting WH 06 LM CF
	G1/8	swiveling	Compression type fitting	734427013	S-fitting WH 06 LLR CF
	M6x1	straight	Quick connect fitting	73449V032	Plug-in coupling, straight GE 06 LM6x1keg Ms
	M8x1	straight	Quick connect fitting	73449V033	Plug-in coupling, straight GE 06 LM8x1keg Ms
	M10x1	straight	Quick connect fitting	73449V034	Plug-in coupling, straight GE 06 LM10x1keg Ms
	G1/8	straight	Quick connect fitting	73449V035	Plug-in coupling, straight GE 06 LR1/8keg Ms
	G1/4	straight	Quick connect fitting	73449V037	Plug-in coupling, straight GE 06 L 1/4UNF Ms
	M6x1	angled	Quick connect fitting	73449V046	Plug-in coupling, angled WE 06 LM6x1keg Ms
	M8x1	angled	Quick connect fitting	73449V047	Plug-in coupling, angled WE 06 LM8x1keg Ms
	M10x1	angled	Quick connect fitting	73449V048	Plug-in coupling, angled WE 06 LM10x1keg Ms
	G1/8	angled	Quick connect fitting	73449V049	Plug-in coupling, angled WE 06 LR1/8keg Ms
	G1/4	angled	Quick connect fitting	73449V051	Plug-in coupling, angled WE 06 L 1/4UNF Ms
	M6x1	swiveling	Quick connect fitting	73449V058	Plug-in coupling, angled WH 06 LM6x1keg Ms
	M8x1	swiveling	Quick connect fitting	73449V059	Plug-in coupling, angled WH 06 LM8x1keg Ms
	M10x1	swiveling	Quick connect fitting	73449V060	Plug-in coupling, angled WH 06 LM10x1keg Ms
	G1/8	swiveling	Quick connect fitting	73449V061	Plug-in coupling, angled WH 06 LR1/8keg Ms
	G1/4	swiveling	Quick connect fitting	73449V063	Plug-in coupling, angled WH 06 L 1/4UNF Ms

Outlet fitting with non-return valve for PVB divider

Illustration	Design	System	Item number	Description
	straight	Compression type fitting	734491253	Connection fitting with non-return valve for 6mm tube
	straight	Quick connect fitting	73449V010	Connection fitting with non-return valve for 6mm tube

Technical Data

Hose fittings - Hydraulic hoses



Hydraulic hose DN04-2KT - (Art.-Nr. 733121273)

Materials:	Central core:	Thermoplastic polyamide 6
	Insertion:	Man-made fiber meshwork
	Outer material:	Thermoplastic polyurethane, microbe-stabilised

Technical Data:	Operating pressure:	325 bar
	Burst pressure:	> 800 bar at +20°C / > 450 bar at +60°C
	Bending radius:	minimum 20 mm

Operating temperature range: -30°C at +80°C



Screw sleeve for hydraulic hose DN04-2KT

Material:	Steel galvanized - Chrome 6 free
Item number:	733913443

Straight pipe socket for hydraulic hose DN04-2KT

Material:	Steel galvanized - Chrome 6 free
-----------	----------------------------------

Item number - Straight pipe socket:

Straight pipe socket, short - without groove:	73391S039
Straight pipe socket, long - without groove:	733913513
Straight pipe socket, short - with groove*:	733912811
Straight pipe socket, long - with groove*:	73391S037



Item number - Straight pipe socket 90° bent:

Straight pipe socket 90°, short - without groove:	733912831
Straight pipe socket 90°, long - without groove:	733912513
Straight pipe socket 90°, short - with groove*:	73391S008



Item number - Straight pipe socket 45° bent:

Straight pipe socket 45°, long - without groove:	73391S040
Straight pipe socket 45°, short - with groove*:	73391S038



Plastic tube 6x1.5 mm - (Art.-Nr.: 731002173)

Material:	DIN 73378 - PA 12 HL - unplasticised
-----------	--------------------------------------

Technical Data:	Operating pressure:	89 bar at 20°C
	Burst pressure:	267 bar
	Bending radius:	minimum 40 mm

Allowed operating temperature: -30°C at +80°C

* for quick connection fittings

Technical Data

Filling pumps - Accessories



Manual and pneumatic filling pumps - for grease guns and cartridges

All filling pumps will be delivered with follower plate and lid

Barrel size	Reservoir diameter inner	Type of operation manual	Type of operation pneumatic
10 kg	215-230 mm	22531P036	22531P029
15 kg	255-282 mm	22531P037	22531P030
18/20 kg	265-285 mm	22531P038	22531P031
18/20 kg	285-305 mm	22531P039	22531P032
25 kg	300-335 mm	22531P040	22531P033
50 kg	355-387 mm	22531P041	22531P034
200 kg	550-590 mm		22531P035

Grease gun not included

Trolley

To equip mobile systems, for filling devices and pneumatic grease pumps. Usable with barrel sizes from 10 - 50 kg including handle and bracket for pump unit.

Item number: 74358W002

Lube-Shuttle® Refill-Adapter Set

Save your money by refilling of the Lube-Shuttle® cartridges. Use the adapter in combination with the filling pump.

Item number: 22911P010

Lube-Shuttle® Cartridges adapter

Would you like to use cartridges with a LubeShuttle® system thread with a different pump system? No problem. We provide you the right adapter.

FUCHS or KAJO: Item number: 22911P016

SKF/Lincoln: Item number: 22911P017

Lube-Shuttle® Empty cartridges

Use you special grease by filling empty cartridges with the Lube-Shuttle® system. Save money by multiple usage of the cartridges.

Item number: 22911P009

Technical Data

Filling pumps - Accessories



Lube-Shuttle® MULTI basic 2M - (Item No.: 78718S044)

Lithium Multi- Purpose Grease , mineral oil base, for universal application. Includes anti-oxidants and corrosion inhibitors as well as polymers to improve adhesion.

Base oil viscosity: 100 mm²/s (40°C)
 Temperature range: -30°C to +120°C (short term to +130°C)
 According to DIN 51502: K2K-30 (NLGI class 2)



Lube-Shuttle® MULTI PLUS EP-2M - (Item No.: 78718S045)

Lithium Multi-Purpose Grease, mineral oil base, with Extreme Pressure Additives. Includes anti-oxidants and corrosion inhibitors as well as polymers to improve adhesion. Compared to MULTI basic, it has a higher mechanical stability.

Base oil viscosity: 180 mm²/s (40°C)
 Temperature range: -30°C to +130°C (short term to +150°C)
 According to DIN 51502: KP2K-30 (NLGI class 2)



Lube-Shuttle® GRAPHITE 2M GR - (Item No.: 78718S046)

Graphite Multi-Purpose Grease with Lithium soap, mineral oil base with extreme pressure and anti-wear additives. Includes anti-oxidants and corrosion inhibitors as well as polymers to improve adhesion.

Base oil viscosity: 120 mm²/s (40°C)
 Temperature range: -30°C to +130°C (short term to +150°C)
 According to DIN 51502: KFP2K-30 (NLGI class 2)



Lube-Shuttle® HIGH TEMP EP-2L HT - (Item No.: 78718S047)

Lithium complex High Temperature Grease, mineral oil base with extreme pressure and anti-wear additives. Includes anti-oxidants and corrosion inhibitors as well as polymers to improve adhesion. Good corrosion and oxidation protection properties, outstanding mechanical stability, good high pressure characteristics.

Base oil viscosity: 200 mm²/s (40°C)
 Temperature range: -30°C to +150°C (short term to +200°C)
 According to DIN 51502: KP2-3N-30 (NLGI class 2-3)



Lube-Shuttle® PROTECT EP-2L WR - (Item No.: 78718S048)

Semi Synthetic Calcium base Grease with extreme pressure and anti-wear additives, anti-oxidants and corrosion inhibitors. This grease is of the highest quality, it has excellent water resistance and a high adhesion factor.

Base oil viscosity: 1.300 mm²/s (40°C)
 Temperature range: -30°C to +120°C (short term to +125°C)
 According to DIN 51502: KHCP2K-20 (NLGI class 2)

Since 1872 an innovator in lubrication technology

BIJUR DELIMON International has production facilities throughout the world, and these are certified to ISO 9001:2008 and ISO 14000. You can be confident that your centralised lubrication system satisfies the highest industrial quality standards. We are committed to quality and customer service!



USA (CORPORATE HEADQUARTERS)

BIJUR DELIMON International
2250 Perimeter Park
Suite 120
Morrisville, NC 27560

(800) 631 0168 **TOLL-FREE**
(919) 465 4448 **TEL**
(919) 465 0516 **FAX**

USA (MANUFACTURING)

BIJUR DELIMON International
2685 Airport Road
Kinston, NC 28504

(800) 227 1063 **TOLL-FREE**
(252) 527 6001 **TEL**
(252) 527 9232 **FAX**

CHINA

Nanjing Bijur Machinery Products, Ltd.
#9 Hengtong Road
Nanjing Xingang Economic & Technical
Development Zone
Nanjing 210038

(+86) 25-85801188 **TEL**
(+86) 25-85802288 **FAX**

UNITED KINGDOM

DENCO Lubrication Limited
Ramsden Court
Ramsden Road Rotherwas
Industrial Estate
Hereford, HR2 6LR

(+44) (0) 1432365000 **TEL**
(+44) (0) 1432365001 **FAX**

GERMANY

DELIMON GmbH
Arminstrasse 15
40227 Düsseldorf

(+49) 211 / 77 74-0 **TEL**
(+49) 211 / 77 74-210 **FAX**

GERMANY (MANUFACTURING)

DELIMON GmbH
Am Bockwald 4
D-08344 Grünhain-Beierfeld

(+49) 3774 65 11 0 **TEL**
(+49) 3774 65 11 30 **FAX**

IRELAND

BIJUR Lubricating Ireland Limited
Gort Road
Ennis, County Clare

(+353) 6568-21543 **TEL**
(+353) 6568-29667 **FAX**

FRANCE

BIJUR Products, Inc.
PB 50 - ZI de Courtabœuf
9, Avenue de Quebec
F-91942 Courtaboeuf Cedex

(+33) (0)169298585 **TEL**
(+33) (0)169077627 **FAX**

INDIA

Private Limited
Gat No. 448/13, Village Nighoje
Behind Mahindra Plant - Gate No. 8A
Taluka-Rajgurunagar (Khed)
District-Pune, Pin: 410 501
IND - Maharashtra

(+91) 20 2748 4372 **TEL**

AUSTRIA

DELIMON Zentralschmiertechnik GmbH
Am Heumarkt 10
A - 1030 Wien

(+43) 1 711 471 391 **TEL**
(+43) 1 711 471 398 **FAX**

SPAIN

Lubrimonsa
Lubricacion Centralizada de Limon S.A.
Avenida Txori Erri 3
8150 Sondica Vicaya

(+34) 94-453-2000 **TEL**
(+34) 94-453-2500 **FAX**

RUSSIA

OOO Bijur Delimon
Vsevolozhsky pereulok,
bld. 2, stroenie 2
119034, Moscow,
Russia

(+7) 495 637 3606 **TEL**